

User's Guide

Publication number E3455-97001
May 2001

© Copyright Agilent Technologies, Inc. 1994-2001
All Rights Reserved

For Safety information, Warranties, and Regulatory information, see
the pages behind the index.

E5900B Option 090 Emulation for Motorola M•CORE

Agilent Technologies E5900B Option 090 Emulation Probe—At a Glance

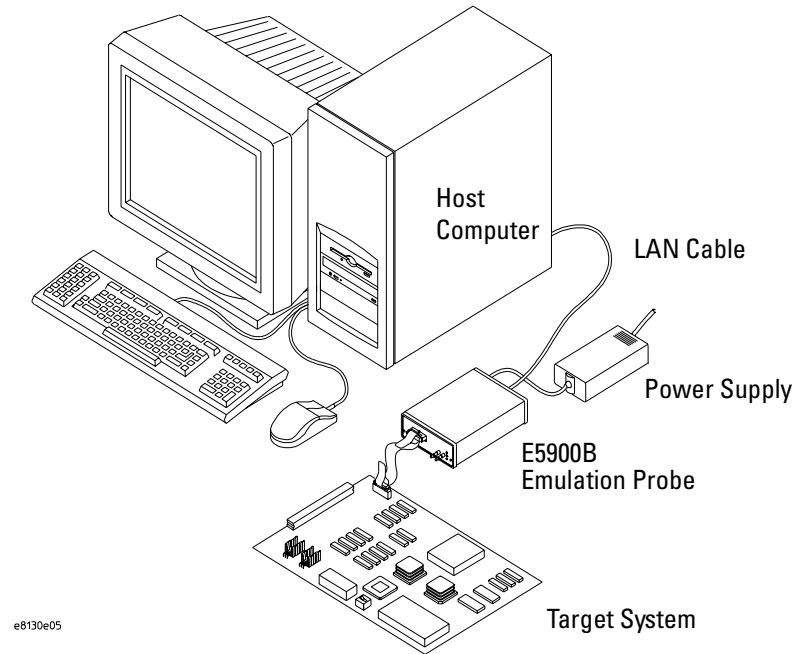
This manual describes how to set up several emulation products: an emulation probe, an emulation module, and an emulation migration.

The emulation probe provides a low-cost way to debug embedded software for Motorola M•CORE family microprocessors. The emulation probe lets you use the target processor's built-in debugging features, including: run control, register access, and memory access. A high-level source debugger can use the emulation probe to debug code running on the target system.

The emulation probe can be controlled by a debugger on a host computer or by the Emulation Control Interface on an Agilent 16700-series logic analysis system.

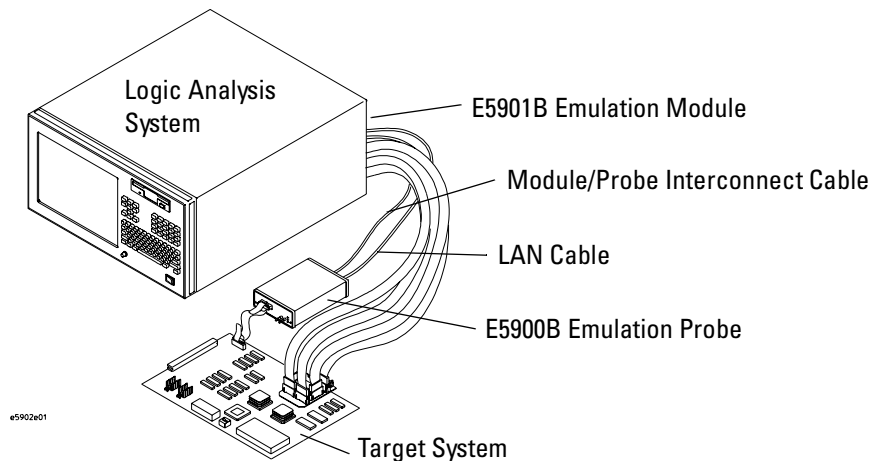
E5900B Emulation Probe

The emulation probe communicates with a host computer or logic analysis system via LAN.



E5901B Emulation Module Kit

The Agilent E5901B emulation module kit includes the E5900B emulation probe, the E5901B emulation module, and other items listed on page 20. The Agilent E5901B emulation module plugs into your Agilent 16700-series logic analysis system frame. It provides power, cross triggering, and limited communication for the E5900B emulation probe through the module/probe interconnect cable. The logic analysis system communicates with the target system through the LAN connection to the E5900B emulation probe.



E5902B Emulation Migration

The emulation migration includes the parts needed to use an emulation probe for a new processor family.

In This Book

This book documents the following products:

Emulation Probe

Processor supported	Product ordered	Includes
M•CORE MMC2107	Agilent Technologies E5900B Option #090	E5900B emulation probe, cables, software, and manual

Emulation Module

Processor supported	Product ordered	Includes
M•CORE MMC2107	E5901B Option #090	E5901B emulation module, E5900B Option #090 emulation probe, cables, software, and manual

Emulation Migration

Processor supported	Product ordered	Includes
M•CORE MMC2107	E5902B Option #090	Target board adapter, front panel, tool kit, cables, software, and manual

Contents

Agilent Technologies E5900B Option 090 Emulation Probe— At a Glance	2
E5900B Emulation Probe	2
E5901B Emulation Module	3
E5902B Emulation Migration	3
 In This Book	 4

1 Overview 15

Setup Flowchart	17
 Agilent E5900B Emulation Probe	 18
Equipment supplied	18
Minimum equipment required	18
 Agilent E5901B Emulation Module	 20
Equipment supplied	20
Minimum equipment required	20
 Agilent E5902B Emulation Migration	 22
Equipment supplied	22
Minimum equipment required	22
 Additional Information Sources	 24

2 Connecting the Emulation Probe to a LAN 25

- To choose a point-to-point or site LAN connection 26
 - A point-to-point connection is especially useful when you have a 16700-series logic analysis system, and: 26
 - Advantages of a point-to-point connection: 26
 - Disadvantages of a point-to-point connection: 27

- Connecting the Emulation Probe to a Site LAN 28
 - To obtain an IP address 29
 - To configure LAN parameters using a serial connection 30
 - Serial connections on a workstation 30
 - Serial connections on a PC 30
 - 30
 - To configure LAN parameters using DHCP 33
 - What is DHCP? 34
 - How does the emulation probe use DHCP? 34
 - How does DHCP interact with other methods of setting LAN parameters? 34
 - To configure LAN parameters using a logic analysis system without an emulation module 35
 - To configure LAN parameters using a logic analysis system with an emulation module 36

- Setting up a Point-to-Point Connection 37
 - To set up a point-to-point connection with an emulation module 37
 - To set up a point-to-point connection without an emulation module 38

- Verifying LAN Communications 39
 - To verify LAN communications using ping 39
 - To verify LAN communications using telnet 40

3 Installing the Emulation Module 41

To install the emulation module in an Agilent 16700-series logic analysis system or expansion frame 43

To connect the E5901B emulation module to the E5900B emulation probe 45

4 Installing Software on a 16700-Series Logic Analysis System 47

Installing and loading 48

What needs to be installed 49

16600/700-series logic analysis systems 49

To install the software from CD-ROM (16600/700) 50

To list software packages which are installed (16700) 51

5 Designing a Target System 53

Designing a Target System 54

Target System Requirements for M•CORE 54

Required Signals 54

\overline{DE} signal (MMC2107) 54

TDO, TDI, TCK, \overline{TMS} , \overline{TRST} , and $\overline{Target_Reset}$ signals 54

Target_VDD 55

M•CORE JTAG Interface Connector 56

6 Connecting the Emulation Probe to Your Target System 57

To connect the emulation probe to the target system 59

7 Configuring the Emulation Probe 61

What can be configured 62

To configure the processor type 63

To configure the Break In SMB port 64

To configure the Trigger Out SMB port 65

To configure restriction to real-time runs 66

To configure the JTAG clock speed (communication speed) 67

To configure the voltage reference 68

To configure the voltage threshold 69

Configuring the Emulation Probe for Maximum Performance 70

Setting TCK speed 70

When to decrease TCK speed 70

When to increase TCK speed 70

8 Using the Emulation Probe 73

To connect the emulation probe to a power source 74

Connection Sequence 75

To power on the system 75

To power off the system 75

Contents

Using the Emulation Control Interface	76
Using the emulation probe with a 16700-series logic analysis system via an emulation module	76
Using the emulation probe with a 16700-series logic analysis system via a LAN connection	77
Using the Emulation Probe with a Debugger	79
Benefits of using a debugger	79
Compatibility with other logic analysis system tools	79
Minimum requirements	79
Is your debugger compatible with the emulation probe?	80
LAN connection	80
Compatibility with the Emulation Control Interface	80
Connecting to an Emulation Module	80
Setting up Debugger Software	81
To export the logic analysis system's display to a web browser	81
To export the logic analysis system's display to a workstation	82
To export the logic analysis system's display to a PC	83

9 Testing Target System Memory 85

Two ways to run the memory tests	86
Using the memory tests with an Agilent 16700 logic analysis system	87
Using the memory tests from a command line interface	88
Memory Tests	89
Recommended Test Procedure	90
Basic Pattern test	91
How the Basic Pattern test works	91
Instructions for using the Basic Pattern test	91
Interpreting Basic Pattern test results	92
If problems were found by the Basic Pattern test	92

Contents

Address Pattern test	94
How the Address Pattern test works	94
Instructions for using the Address Pattern test	94
Interpreting Address Pattern test results	95
If problems were found by the Address Pattern test	95
Rotate Pattern test	96
How the Rotate Pattern test works	96
Instructions for using the Rotate Pattern test	97
Interpreting Rotate Pattern test results	97
Walking Ones test	98
How the Walking Ones test works	98
Instructions for using the Walking Ones test	98
Walking Zeros test	99
How the Walking Zeros test works	99
Instructions for using the Walking Zeroes test	100
Oscilloscope Read test	100
How the Oscilloscope Read test works	100
Instructions for using the Oscilloscope Read test	100
Oscilloscope Write test	101
How the Oscilloscope Write test works	101
Instructions for using the Oscilloscope Read test	101

10 Updating Firmware 103

Updating Firmware When You Do Not Have a Logic Analysis System	105
To display current firmware version information	105
To update firmware from the web	105
To update firmware from a floppy disk	105
Updating Firmware When You Have a Logic Analysis System	106
To display current firmware version information	106
To update firmware using the Emulation Control Interface	107
To update firmware for an emulation probe using the Setup Assistant	108

11 Installing an Agilent E5902B Emulation Migration 109

To install the emulation migration 110

12 Specifications and Characteristics 115

Emulation probe electrical characteristics 116

Trigger Out SMB Port 116

Break In SMB Port 116

Communications 116

Power Input 116

Power Supply 117

Electrical Characteristics 118

Emulation probe environmental characteristics 119

Emulation module environmental characteristics 119

13 Troubleshooting the Emulation Probe 121

General Troubleshooting 123

Step 1: Telnet to the emulation probe 123

If you cannot connect to the emulation probe 123

Step 2: Check the prompt 123

If a telnet connection to the emulation probe displays the prompt "->" 123

If a telnet connection to the emulation probe displays the prompt ">" 124

Step 3: Try some simple commands to control the target 125

If the emulation probe has problems controlling the target 125

Step 4: Check the emulation module 127

If you have problems using the emulation probe as an emulation module in a 16700-series logic analysis system 127

Step 5: Check your debugger connection 128

Contents

If you have problems using the emulation probe with a debugger	128
If you need to obtain help	128
Status Lights	129
Emulation Probe Target Status Lights	129
Emulation Probe LAN Status Lights	130
Emulation Probe Power On Light	130
Using the Emulation Probe Command Line Interface	131
To use the command line interface from the logic analysis system	131
To telnet to the emulation probe	132
To list the emulation probe commands	132
To use the built-in commands	133
Examples of built-in commands	134
Reset, break and run commands	134
Register commands	134
Memory commands	134
Memory test commands	134
To write a NOP loop into memory	135
To step the program	135
To run the simple NOP program	135
To set a software breakpoint (Memory trap replacement breakpoints)	135
To set a hardware breakpoint (On processor breakpoint registers)	136
To use command line editing	136
To build scripts	136
To flash memory	136
To display the emulation probe firmware version	137
Emulation probe command line prompts	137
Configuration commands	138
Problems with the Target System	139
What to check first	139
To check the debug port connector signals	140
To interpret the initial prompt	141
M•CORE-specific error and status messages	144

Contents

Problems with the LAN Interface	145
If you cannot verify LAN communication	145
If you have LAN connection problems	146
If it takes a long time to connect to the network	146
If you have problems setting the LAN parameters using a logic analysis system	147
Problems with the Serial Interface	148
If you cannot verify RS-232 communication	148
If you have RS-232 connection problems with the MS Windows [®] Terminal program	148
Problems with the Emulation Module	150
To test the emulation module	150
Problems with the Emulation Probe	151
To run the emulation probe performance verification tests	151
To run the performance verification tests using the logic analysis system	151
To run complete performance verification tests using a serial or telnet connection	152
If a performance verification test fails	154
Test 1: Powerup PV Results	154
Test 2: Emulation Module Port Feedback Test	154
Test 3: Run Control FPGA Test	
Test 4: Run Control Clock Test	154
Test 5: Break In and Trigger Out SMB Feedback Test	154
Test 6: Target Board Adapter Feedback Test	155

Contents

Returning Parts for Service 156
To return a part to Agilent Technologies 156

To obtain replacement parts 157
To clean the instrument 158

Glossary 159

Index 165

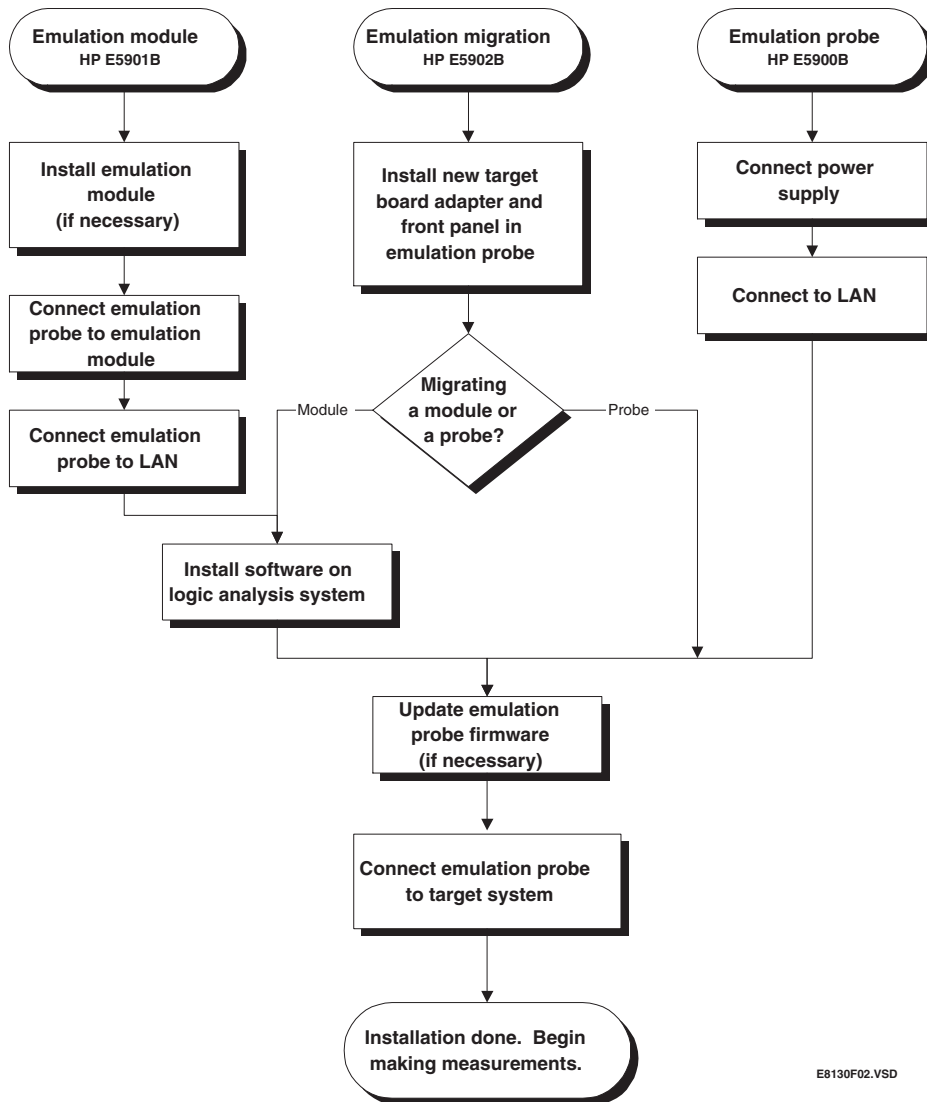
Overview

Overview

This chapter describes:

- Setup flowchart
- Equipment used with the emulation probe
- Connection sequences for the emulation probe
- Equipment used with the emulation module
- Additional information sources

Setup Flowchart



E8130F02.VSD

Agilent E5900B Emulation Probe

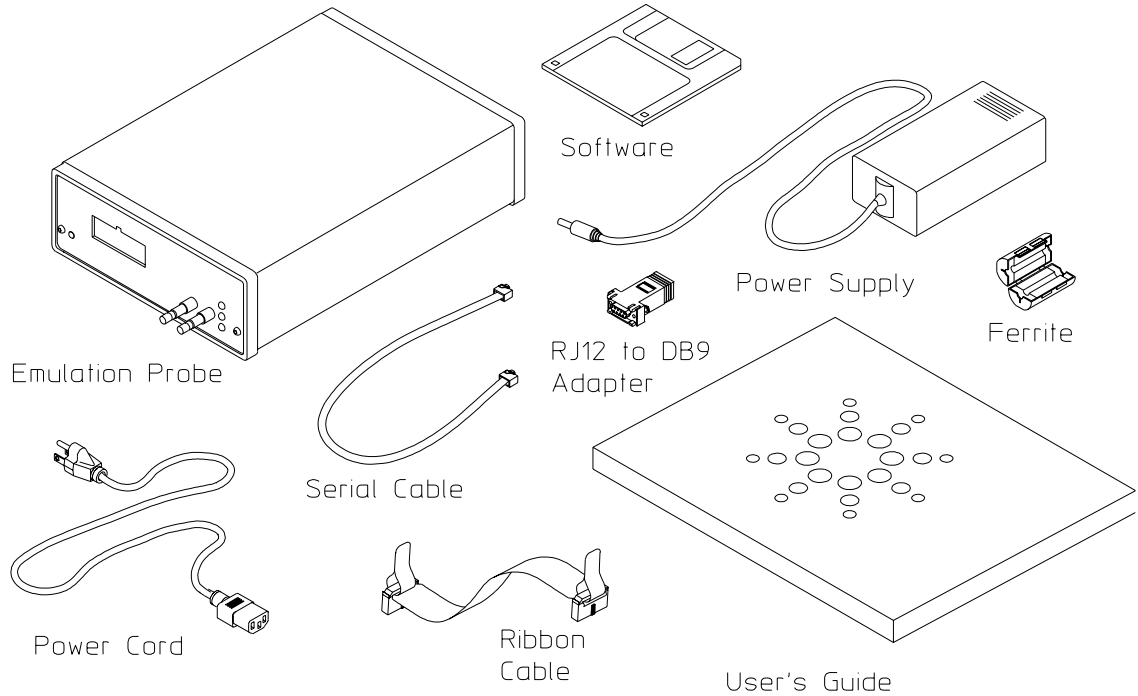
Equipment supplied

- Emulation probe.
 - 12V power supply for the emulation probe.
 - Power cord.
 - Ferrite (reduces electromagnetic interference on power cord).
 - Serial cable and RJ12-to-DB9 adapter (for setting the emulation probe's IP address from a PC).
 - 14-pin JTAG ribbon cable (connects emulation probe to target debug port).
 - Target board adapter (cable board) — installed in the emulation probe.
 - Firmware for the emulation probe on a 3.5-inch software disk.
 - This *User's Guide*.
-

Minimum equipment required

The following equipment is required to use the emulation probe:

- A method for connecting the emulation probe to the target system. The target system must have an appropriate debug port connector. The target system must meet the criteria on page 53.
- A host computer, such as a PC or workstation. You can also connect the emulation probe to an Agilent 16700-series logic analysis system.
- A LAN (local area network) to connect the emulation probe to the host computer or logic analysis system.
- A user interface on the host computer, such as a high-level source debugger or the logic analysis system's Emulation Control Interface.



e3/53e06

Agilent E5901B Emulation Module

Equipment supplied

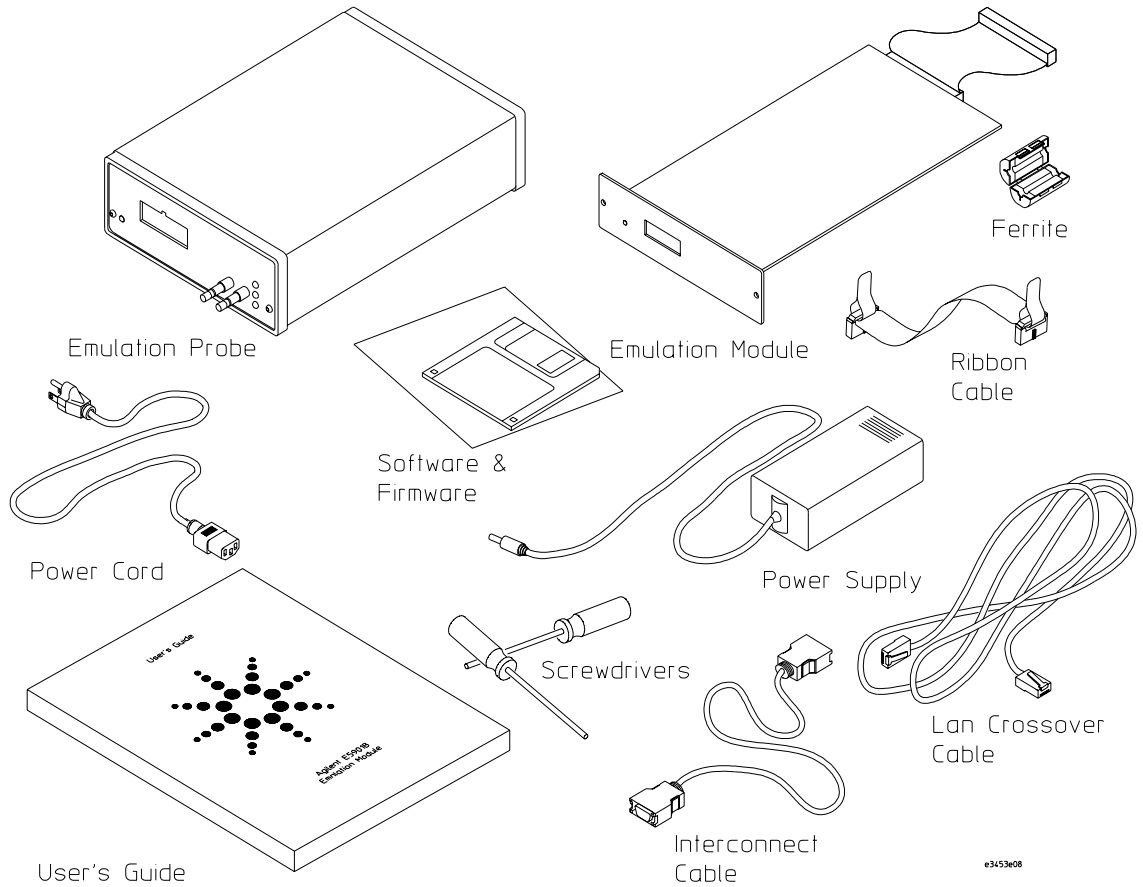
The equipment supplied with your emulation module includes:

- All of the parts listed for the Agilent E5900B emulation probe on page 18 (except the serial cable and RJ12 to DB9 adapter).
- Agilent E5901B emulation module, which facilitates communication between the Agilent 16700-series logic analysis system and the Agilent E5900B emulation probe. If you ordered an emulation module as part of your Agilent 16700-series logic analysis system, it is already installed in the frame.
- Module/probe interconnect cable (connected to the emulation module).
- Firmware for the emulation probe and software for the Emulation Control Interface on a CD-ROM.
- Torx T-10 and T-15 screwdrivers.
- LAN crossover cable (for point-to-point LAN connection only).

Minimum equipment required

The following equipment is required to use the emulation module:

- A method for connecting the emulation probe to the target system. The target system must have an appropriate JTAG debug port connector. The target system must meet the criteria on page 53.
- An Agilent 16700-series logic analysis system.
- A user interface, such as a high-level source debugger or the logic analysis system's Emulation Control Interface.



Agilent E5902B Emulation Migration

Equipment supplied

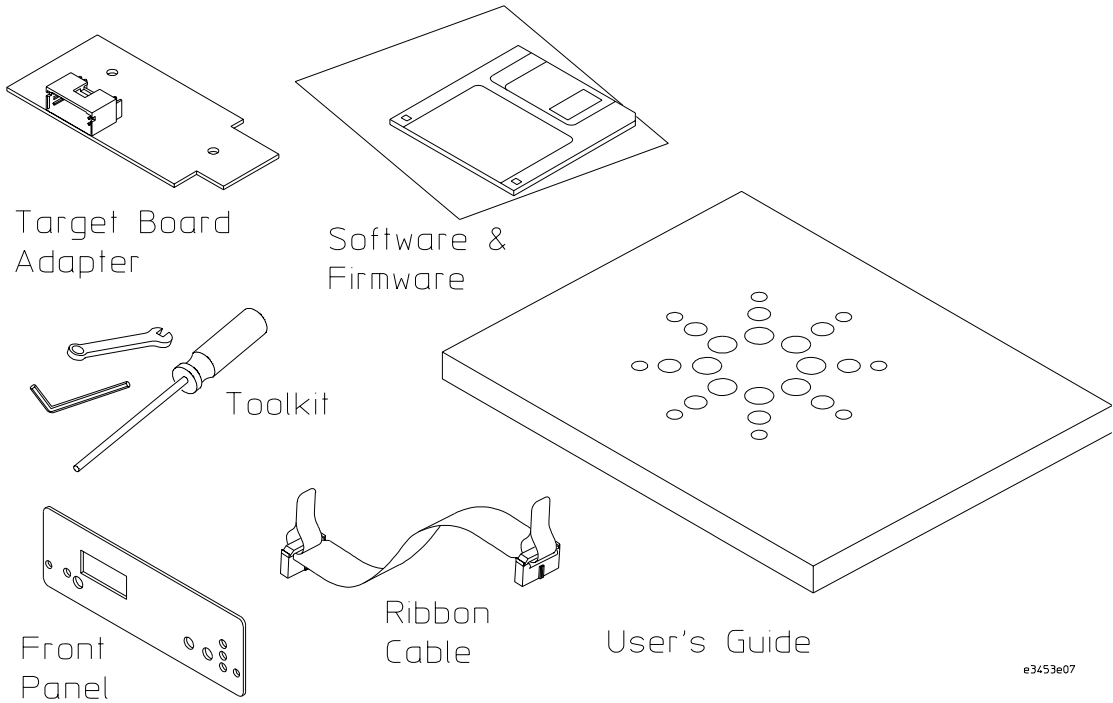
The equipment supplied with your emulation migration includes:

- A target board adapter (cable board) to be installed in the E5900B emulation probe. This board customizes the emulation probe for a particular target type.
- Firmware for the emulation probe and updated software for the Emulation Control Interface on a CD-ROM (use if you have a 16700-series logic analysis system).
- Firmware for the emulation probe on a floppy disk (use if you do not have a logic analysis system).
- Front panel for the emulation probe.
- Tool kit including a 1/4 inch wrench, a #1 Phillips screw driver, and a Torx T-10 screwdriver.
- This *User's Guide*.

Minimum equipment required

The following equipment is required to use the emulation migration:

- An Agilent E5900B emulation probe.
- A method for connecting the emulation probe to the target system. The target system must have an appropriate debug port connector. The target system must meet the criteria on page 53.
- A host computer such as a PC, a workstation, or an Agilent 16700-series logic analysis system.
- A user interface, such as a high-level source debugger or the logic analysis system's Emulation Control Interface.



e3453e07

Additional Information Sources

Additional or updated information can be found in the following places:

Newer editions of this manual may be available. Contact your local Agilent Technologies representative.

Application notes may be available from your local Agilent representative or on the World Wide Web at:

<http://www.agilent.com/find/emulator>

If you have an Agilent 16700-series logic analysis system, the **online help** for the Emulation Control Interface has additional information on using the emulation probe.

The **measurement examples** include valuable tips for making emulation and analysis measurements. You can find the measurement examples under the system help in your Agilent 16700-series logic analysis system.

Connecting the Emulation Probe to a LAN

You need to set up a LAN connection for the E5900B emulation probe, even if you are using an E5901B emulation module.

The emulation probe has an IEEE 802.3 Type 10/100Base-TX LAN connector.

The emulation probe is compatible with both 10 Mbps (10BASE-T) and 100 Mbps (100BASE-TX) twisted-pair ethernet LANs. The probe automatically negotiates the data rate for the LAN it is connected to.

Before the Emulation Control Interface can connect to the emulation probe, the probe's LAN parameters (that is, its IP address, gateway address, and subnet mask) must be set up. The IP address and other network parameters are stored in nonvolatile memory within the emulation probe.

See Also

For information on connecting a debugger to the emulation probe, see Chapter 8, "Using the Emulation Probe," beginning on page 73.

To choose a point-to-point or site LAN connection

You can connect the emulation probe to your site LAN, or you can create an isolated network between a 16700-series logic analysis system and the emulation probe using a point-to-point connection.

A point-to-point connection is especially useful when you have a 16700-series logic analysis system, and:

- You do not have a site LAN, or
- The measurement setup will be on a cart, or
- You do not want to connect the measurement setup to a LAN because of security reasons.

Advantages of a point-to-point connection:

- If you have an E5901B emulation module, all LAN parameters will be set automatically.
- No need for a system administrator to assign IP addresses. (You can use any IP address for the emulation probe, and it will not conflict with other

devices on the LAN.)

- The logic analysis system cannot be accessed across the network (required in some high-security environments).
- Can be used when a site LAN is not available.

Disadvantages of a point-to-point connection:

- Neither logic analysis system nor the emulation probe are connected to a site LAN.
- A special "crossover" LAN cable must be used.
If you have an emulation module, use the LAN crossover cable supplied with the emulation module (Agilent part number 5061-7342). If you do not have an emulation module, use a Category 3 (for 10BASE-T) or Category 5 (for 100BASE-TX) crossover cable.
- The emulation probe must be near the logic analysis system. The length of the crossover cable supplied with the emulation module is 1.5m (5 feet).
- Remote file systems cannot be mounted for access to source code files, symbol files, or executable files.
- The emulation probe cannot be controlled by a debugger on a host computer.

Connection Method	Go to Page
Site LAN connection	page 28
Point-to-point	page 37

Connecting the Emulation Probe to a Site LAN

- 1 Connect the LAN cable to the connector on the emulation probe.

Be sure to use the appropriate Category 3 or Category 5 cable for your LAN. Do not use the LAN cable supplied with the emulation probe—it is a crossover cable used for point-to-point connections only.

- 2 Find out the IP address and other LAN parameters to use for the emulation probe. See “To obtain an IP address” on page 29.
- 3 Decide how you want to configure the LAN parameters:

If you have this equipment...	Use this procedure
Emulation probe only	“To configure LAN parameters using a serial connection” on page 30, or “To configure LAN parameters using DHCP” on page 33
Emulation probe and a logic analysis system without an E5901B emulation module	“To configure LAN parameters using a logic analysis system without an emulation module” on page 35
Emulation probe and a logic analysis system with an E5901B emulation module	“To configure LAN parameters using a logic analysis system with an emulation module” on page 36

- 4 Verify that your emulation probe is now active and on the network. See “To verify LAN communications” on page 39.

To obtain an IP address

- 1 Obtain the following information from your local network administrator or system administrator:

- An IP address for the emulation probe.

You can also use a "LAN name" for the emulation probe, but you must configure it using the integer dot notation (such as 127.0.0.1).

- The gateway address.

The gateway address is an IP address and is entered in integer dot notation. The default gateway address is 0.0.0.0, which allows connections only on the local network or subnet. If connections are to be made to workstations on other networks or subnets, this address must be set to the address of the gateway machine.

- The subnet mask.

A subnet mask blocks out part of an IP address so that the networking software can determine whether the destination host is on a local or remote network. It is usually represented as decimal numbers separated by periods; for example, 255.255.248.0.

- 2 Find out whether port numbers 6470 and 6471 are already in use on your network and if that use constitutes a conflict.

The host computer interfaces communicate with the emulation probe through two TCP service ports. The default base port number is 6470. The second port has the next higher number (default 6471).

In almost all cases, the default numbers (6470, 6471) can be used without change. If necessary the base port number can be changed if the port numbers conflict with some other product on your network.

To change the port numbers, see page 32. If you have already set the IP address, you can use a telnet connection instead of a serial connection to connect to the emulation probe.

To configure LAN parameters using a serial connection

The E5900B emulation probe has a 9600 baud RS-232 serial interface with an RJ12 connector.

The emulation probe is shipped with a serial cable (with RJ-12 connectors on both ends, with 6-wire straight-through connections) and an adapter (female RJ-12 to female 9-pin D subminiature). The adapter plugs into the 9-pin serial port found on most PCs.

Serial connections on a workstation

If you are using a UNIX® workstation as the host computer, you need to use a serial device file. If a serial device file does not already exist on your host, you need to create one. Once it exists, you need to ensure that it has the appropriate permissions so that you can access it. See the system documentation for your workstation for help with setting up a serial device.

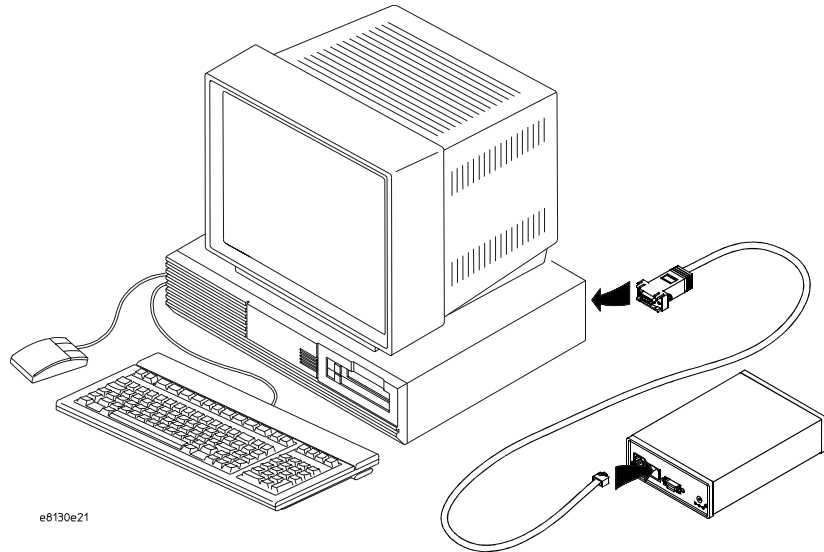
Serial connections on a PC

Serial connections are supported on PCs. You must use hardware handshaking if you will use the serial connection for anything other than setting LAN parameters.

If you are using a PC as the host computer, you do not need to set up any special files.

- 1 Connect the serial cable from the host computer to the emulation probe.

Use the DB9-to-RJ12 adapter and the serial cable supplied with the emulation probe.



- 2 Start a terminal emulator program on the host computer.

If you are using a PC, the HyperTerminal application in Microsoft Windows® will work fine.

If you are using a UNIX workstation, you can use a terminal emulator such as `cu` or `kermit`.

- 3 Configure the terminal emulator program for:

- Communication rate: 9600 baud
- Bits: 8
- Parity: none
- Stop bits: 1
- Flow control: none

- 4 Turn on power to the emulation probe.

When the emulation probe powers up, it sends a version message to the serial port, followed by a prompt.

- 5 Press the Return or Enter key a few times.

Connecting the Emulation Probe to a LAN

Connecting the Emulation Probe to a Site LAN

You should see a prompt such as "p>" or "R>".

For information about the commands you can use, enter ? or help at the prompt.

- 6 Display the current LAN configuration values by entering the **lan** command:

```
R> lan
lan is enabled
  Link Status is UP
  100BaseTX
  lan -i 15.5.24.116
  lan -g 15.5.23.1
  lan -s 255.255.248.0
  lan -p 6470
  Ethernet Address : 08000909BAC1
R>
```

The Ethernet address, also known as the link level address, is preassigned at the factory, and is printed on a label on the emulation probe.

- 7 Enter the following command:

```
lan -i <internet> [-g <gateway>] [-p <port>] [-s
<subnet>]
```

The lan command parameters are:

- i <internet> The IP address which you obtained from your network administrator.
- g <gateway> The gateway address. Setting the gateway address allows access outside your local network or subnet.
- s <subnet> This changes the subnet mask.
- p <port> This changes the base TCP service port number, normally 6470.

Do not change the default port numbers (6470, 6471) unless they conflict with some other product on your network. The numbers must be greater than 1024. If you change the base port, enter the new value in the configuration of your debugger (and, for UNIX workstations, in the /etc/services file).

- 8 Cycle power on the emulation probe.

The IP address and any other LAN parameters you change are stored in nonvolatile memory and will take effect when the emulation probe is powered

off and back on again.

Example

To assign an IP address of 192.6.94.2 to the emulation probe, enter the following command:

```
R>lan -i 192.6.94.2
```

Cycle power on the emulation probe so that the new address will take effect.

- 9 Verify your emulation probe is now active and on the network. See “Verifying LAN Communications” on page 39.

Once you have set a valid IP address, you can use the telnet utility to connect to the emulation probe, and use the lan command to change LAN parameters.

To configure LAN parameters using DHCP

If there is a DHCP server on your network which responds to BOOTP requests and supports “static allocation” of IP addresses, it can be used to set the emulation probe’s LAN parameters.

- 1 Ask your system administrator to set up an IP address for the emulation probe on the DHCP server.

You will need to supply the link-level address of the emulation probe.

The link-level address (LLA) is printed on a label above the LAN connector on the emulation probe. This address is configured in each emulation probe shipped from the factory and cannot be changed.

- 2 Connect the LAN cable to the connector on the emulation probe.
- 3 Cycle power on the emulation probe by powering it off then on again.
- 4 Wait at least 20 seconds for the emulation probe to recognize the LAN.
- 5 Verify that your emulation probe is now active and on the network. See “To verify LAN communications” on page 39.

What is DHCP?

DHCP (Dynamic Host Configuration Protocol) allows clients to obtain LAN parameters automatically from a server.

How does the emulation probe use DHCP?

The emulation probe uses “static allocation” (sometimes called “manual allocation”) to obtain a permanent IP address. Every time the emulation probe is turned on, it sends out a BOOTP request packet. If the DHCP server on the network responds to BOOTP requests and has been configured to reply to the emulation probe’s link-level address, it will respond with the IP address and other LAN parameters.

The emulation probe does not support “automatic allocation”, which permanently allocates IP addresses from a pool of addresses.

Nor does the emulation probe support “dynamic allocation” of IP addresses—it does not track lease duration and request a new IP address when the lease is about to expire.

How does DHCP interact with other methods of setting LAN parameters?

Every time the emulation probe is turned ON, it sends out a BOOTP request packet (even if the LAN parameters have already been configured). As long as the DHCP server is configured to reply to BOOTP requests from the emulation probe’s link-level address, it will respond with the IP address and other LAN parameters.

To configure LAN parameters using a logic analysis system without an emulation module

- 1 Connect the LAN cable to the connector on the emulation probe.
- 2 In the logic analysis system interface, open the Workspace window by selecting the Workspace icon.



- 3 Scroll down the left side of the toolbox in the workspace window and find the emulation probe tool. Drag the emulation probe icon from the toolbox to the workspace.



- 4 From the emulation probe icon, select **Init Probe LAN Addresses...**
- 5 Enter the link-level address of the probe you wish to set up.
- 6 Enter the internet address, gateway IP and subnet mask in the appropriate fields.
- 7 Select **OK**.

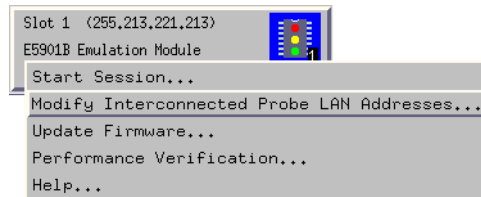
If "ERROR - no response from emulation probe" is displayed, check that the emulation probe is properly connected to the LAN. Then try selecting **OK** again.

If no error message is displayed, the internet address and other network parameters will be stored in nonvolatile memory and will take effect when power is cycled.

- 8 Cycle power on the emulation probe by powering it off then on again.

To configure LAN parameters using a logic analysis system with an emulation module

- 1 Connect the emulation module to the emulation probe. (See page 45.)
- 2 Connect the LAN cable to the connector on the emulation probe.
- 3 Cycle power on the emulation probe by powering it off then on again.
- 4 Wait at least 20 seconds for the emulation probe to recognize the LAN.
- 5 From the E5901B emulation module icon, select **Modify Interconnected Probe LAN Addresses...**



- 6 Select **Read Probe Addresses** to read the current settings.
- 7 Enter the internet address, gateway IP and subnet mask in the appropriate fields.
- 8 Select **OK**.
- 9 Cycle power on the emulation probe. The new addresses will take effect after you cycle power.

Setting up a Point-to-Point Connection

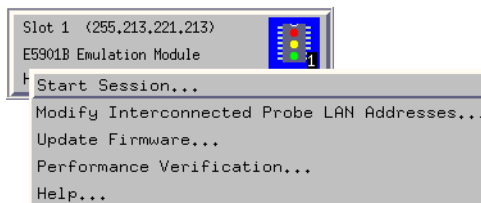
A point-to-point connection creates an isolated network with only two nodes—the logic analysis system and the emulation probe.

There are two ways to set up the connection:

If you have this equipment...	Use this procedure
Emulation probe and a logic analysis system <i>with</i> an E5901B emulation module	“To set up a point-to-point connection with an emulation module” on page 37
Emulation probe and a logic analysis system <i>without</i> an E5901B emulation module	“To set up a point-to-point connection without an emulation module” on page 38

To set up a point-to-point connection with an emulation module

- 1 Connect the emulation module to the emulation probe (page 45).
- 2 Connect the crossover LAN cable between the logic analysis system and the emulation probe.
- 3 In the logic analysis system main window, open the System Administration dialog and check that networking is enabled.
- 4 Select the emulation module icon then select **Start Session....**



This will automatically configure the LAN connection and start the Emulation Control Interface. There is no need to set the IP address of the emulation probe.

To set up a point-to-point connection without an emulation module

- 1 Connect the crossover LAN cable between the logic analysis system and the emulation probe.
- 2 Turn on power to the emulation probe.
- 3 In the logic analysis system main window, select the System Administration icon.
- 4 Select **Network Setup...**
- 5 Select **Standard** to turn on networking.
- 6 Select **Default Network**.

Leave the network parameters with the default values. The IP address should be 192.0.2.231.

- 7 In the Network Setup dialog, select **OK**.
- 8 In the main system window, select the Workspace icon.
- 9 Drag the emulation probe icon onto the workspace.



- 10 From the emulation probe icon, select **Init Probe LAN Addresses...**

- 11 Enter the link-level address of the emulation probe.

The link-level address (LLA) is printed on a label above the LAN connector on the emulation probe.

- 12 Enter the following IP address: 192.0.2.233

- 13 Select **OK** then follow the instructions.

Note about the Setup Assistant: If networking is *disabled* for the 16700-series logic analysis system, the Setup Assistant will guide you through the process of setting up a point-to-point connection. If networking is *enabled*, the Setup Assistant assumes you want to connect the emulation probe to a site LAN.

Verifying LAN Communications

Verify your emulation probe is now active and on the network by issuing a **ping** or **telnet** command to the IP address.

To verify LAN communications using ping

These instructions assume you are using a PC running Microsoft® Windows®. The procedure for other operating systems is slightly different.

- 1 Open an MS-DOS window or select **Start→Run...**
- 2 Enter the **ping** command followed by the IP address of the emulation probe.

Example

```
C:\WINDOWS>ping 192.35.12.6

Pinging 192.35.12.6 with 32 bytes of data:

Reply from 15.6.253.138: bytes=32 time=1ms TTL=254
Reply from 15.6.253.138: bytes=32 time=1ms TTL=254
Reply from 15.6.253.138: bytes=32 time=1ms TTL=254
Reply from 15.6.253.138: bytes=32 time<10ms TTL=254
```

If You Have Problems If the response is something like "100% packet loss" or "Destination host unreachable", see "Problems with the LAN Interface" on page 145.

To verify LAN communications using telnet

- 1 Verify your emulation probe is now active and on the network by issuing a telnet to the IP address.

This connection will give you access to the emulation probe's built-in terminal interface.

- 2 To view the LAN parameters, enter the lan command at the terminal interface prompt.
- 3 To exit from this telnet session, type Ctrl+D at the prompt.

The best way to change the emulation probe's IP address, once it has already been set, is to telnet to the emulation probe and use the terminal interface lan command to make the change. Remember, after making your changes, you must cycle power before the changes take effect. Doing this will break the connection and end the telnet session.

To use telnet on a 16700-series logic analysis system, select the System Administration icon, select the **Networking** tab, then select **telnet...**

If You Have Problems “Problems with the LAN Interface” on page 145.

Example

```
$ telnet 192.35.12.6
R>lan
lan is enabled
lan -i 192.35.12.6
lan -g 0.0.0.0
lan -s 255.255.248.0
lan -p 6470
Ethernet Address : 08000F090B30
```

Installing the Emulation Module

Installing the Emulation Module

This chapter shows you how to install the optional emulation module in your Agilent Technologies 16700-series logic analysis system and how to connect the emulation module to an emulation probe.

You need to set up a LAN connection for the E5900B emulation probe, even if you are using an E5901B emulation module.

If your emulation module is already installed in your logic analysis system frame, you may skip this chapter.

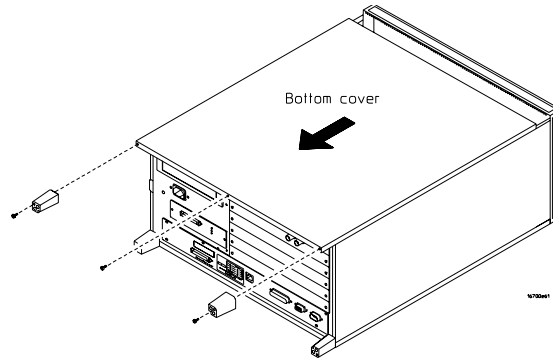
CAUTION:

Electrostatic discharge can damage electronic components. Use grounded wrist straps and mats when you handle modules.

To install the emulation module in an Agilent 16700-series logic analysis system or expansion frame

You will need T-10 and T-15 Torx screw drivers (supplied with the emulation module)

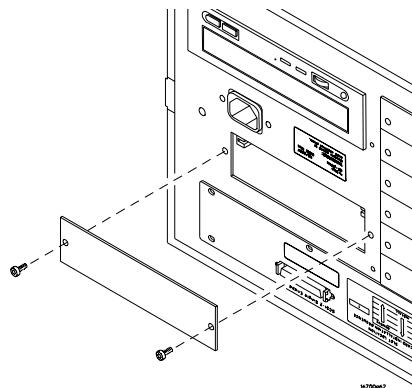
- 1 Turn off the logic analysis system and REMOVE THE POWER CORD.
Remove any other cables (including mouse or video monitor cables).
- 2 Turn the logic analysis system frame upside-down.
- 3 Remove the bottom cover.



- 4 Remove the slot cover.

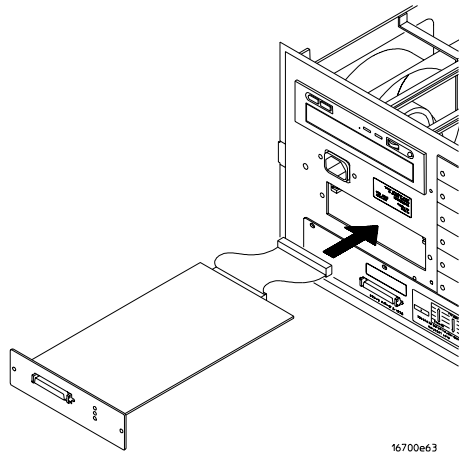
NOTE:

The 16700B-series logic analysis system (which is shown here) has one available slot. If you have a 16700A-series logic analysis system, you may use either of the two slots.



Installing the Emulation Module

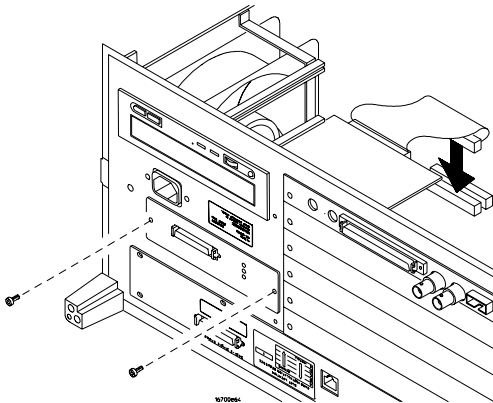
- 5 Install the emulation module.



- 6 Connect the cable and re-install the screws.

NOTE:

The 16700B-series logic analysis system (which is shown here) has one available connector. If you have a 16700A-series logic analysis system, you may connect the cable to either of the two connectors.

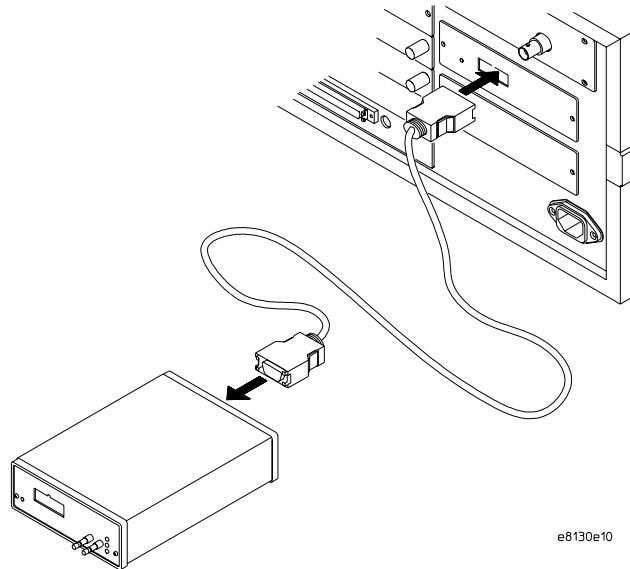


- 7 Reinstall the bottom cover, then turn the frame right-side-up.
- 8 Plug in the power cord, reconnect the other cables, and turn on the logic analysis system.

The new emulation module will be shown as an "E5901B Emulation Module" in the system window.

To connect the E5901B emulation module to the E5900B emulation probe

- 1 Connect one end of the module/probe interconnect cable to the E5901B emulation module in the logic analysis system mainframe.
- 2 Connect other end of the module/probe interconnect cable to the "Emulation Module" connector on the E5900B emulation probe.



- 3 Power on the emulation probe.

The LED next to the switch is lit when the switch is turned on and the probe is being supplied with power.

Power is supplied by the 16700-series logic analysis system through the module/probe interconnect cable. The external power supply is not necessary for normal operation.

See Also

Chapter 2, “Connecting the Emulation Probe to a LAN,” beginning on page 25. (You need to connect the emulation probe to the LAN, even when you are using an emulation module.)

Chapter 6, “Connecting the Emulation Probe to Your Target System,” beginning on page 57.

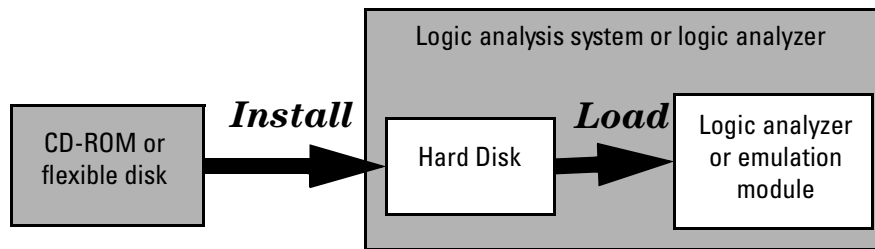
Installing the Emulation Module

Installing Software on a 16700-Series
Logic Analysis System

This chapter explains how to install the software you will need for your analysis probe or emulation solution.

Installing and loading

Installing the software will copy the files to the hard disk of your logic analysis system. Later, you will need to **load** some of the files into the appropriate hardware module.



What needs to be installed

16600/700-series logic analysis systems

If you ordered an emulation solution with your logic analysis system, the software was installed at the factory.

The following files are installed when you install a processor support package from the CD-ROM:

- Logic analysis system configuration files
- Inverse assembler (automatically loaded with the configuration files)
- Personality files for the Setup Assistant
- Emulation module firmware (for emulation solutions)
- Emulation Control Interface (for emulation solutions)

The B4620B Source Correlation Tool Set is installed with the logic analysis system's operating system.

To install the software from CD-ROM (16600/700)

Installing a processor support package from a CD-ROM will take just a few minutes. If the processor support package requires an update to the Agilent Technologies 16600/700 operating system, installation may take approximately 15 minutes.

NOTE:


The 16700B-series logic analysis systems have internal CD-ROM drives. The 16600/700A-series logic analysis systems have external CD-ROM drives.

If your system uses an external CD-ROM drive and it is not connected, see the connection instructions printed on the CD-ROM package.

- 1 If your system uses an external CD-ROM drive, turn on the CD-ROM drive first and then turn on the logic analysis system. Otherwise, simply turn on the logic analysis system.

If the CD-ROM and analysis system are already turned on, be sure to save any acquired data. The installation process may reboot the logic analysis system.

- 2 Insert the CD-ROM in the drive.

- 3 Select the **System Administration** icon. 

- 4 Select the **Software Install** tab.

- 5 Select **Install...**

Change the media type to "CD-ROM" if necessary.

- 6 Select **Apply**.

- 7 From the list of types of packages, double-click "**PROC-SUPPORT**."

A list of the processor support packages on the CD-ROM will be displayed.

NOTE:

For touch screen systems, double select the "**PROC-SUPPORT**" line by quickly touching it twice.

- 8 Select the "**M-CORE**" package.

If you are unsure whether this is the correct package, select **Details** for

information about the contents of the package.

9 Select **Install**.

The Continue dialog box will appear.

10 Select **Continue**.

The Software Install dialog will display "Progress: completed successfully" when the installation is complete.

11 If required, the system will automatically reboot. Otherwise, close the software installation windows.

The configuration files are stored in /logic/configs/hp/mcore. The inverse assemblers are stored in /logic/ia.

See Also

See the instructions printed on the CD-ROM package for a summary of the installation instructions.

See the online help for more information on installing, licensing, and removing software.

To list software packages which are installed (16700)

In the System Administration Tools window, under the **Software Install** tab, select **List...**

Designing a Target System

Designing a Target System

This chapter will help you design a target system that will work with the emulation probe. Signal requirements and JTAG connector pinouts are shown.

Target System Requirements for M•CORE

Required Signals

\overline{DE} signal (MMC2107)

This signal is not required; however, we strongly recommend that you include it on the target header connector (shown on page 56).

The \overline{DE} signal can be asserted by the target processor as a result of a breakpoint condition. The \overline{DE} signal can also be asserted by the emulation probe to cause the target processor to enter debug mode.

When a breakpoint condition occurs, the DE signal can be used to trigger a logic analyzer through the trigger out SMB port (see page 65). Without \overline{DE} , the processor must be stopped using the JTAG scan chains, and the processor may not stop until several hundred instructions have been executed. This may cause complications when attempting to correlate the state of the logic analyzer and the emulation probe after the breakpoint has been reached.

A logic analyzer can stop processor execution by driving the \overline{DE} line through the emulation probe's break in SMB port.

TDO, TDI, TCK, \overline{TMS} , \overline{TRST} , and $\overline{\text{Target_Reset}}$ signals

TDO, TDI, TCK, \overline{TMS} and \overline{TRST} signal traces between the JTAG connector and the M•CORE target must be less than 3 inches long. If these signals are connected to other nodes, the other nodes must be daisy chained between the JTAG connector at one end and the M•CORE microprocessor at the other end. These signals are sensitive to crosstalk and must not be routed along active signals such as clock lines on the target board.

The TDI, TCK, \overline{TMS} and \overline{TRST} signals must not be actively driven by the target system when the debug port is being used.

Target_VDD

The Target_VDD signal is provided by the target system. It should be connected to the IO power supply of the processor. It is used by the emulation probe to determine the target power status and the reference for the input threshold and output voltage swings. The emulation probe does not draw power from this source.

M•CORE JTAG Interface Signals and Pull-up Resistors

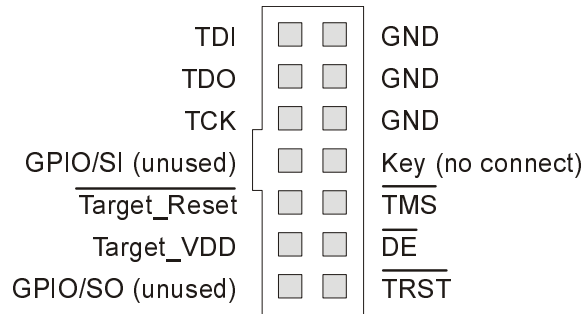
Header Pin Number	Signal Name	Target Board Resistor ¹
1	TDI	10 kΩ pull-up
2	Ground	
3	TDO	
4	Ground	
5	TCK	10 kΩ pull-up
6	Ground	
7	GPIO/SI	10 kΩ pull-up
8	key (no connection)	
9	$\overline{\text{TARGET_RESET}}$	10 kΩ pull-up
10	$\overline{\text{TMS}}$	10 kΩ pull-up
11	TARGET_VDD ¹	
12	$\overline{\text{DE}}$	10 kΩ pull-up
13	GPIO/SO	
14	TRST	10 kΩ pull-up

¹ Pull-ups are to Target Vdd.

M•CORE JTAG Interface Connector

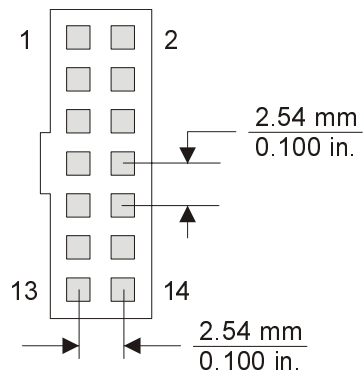
The target system must have the Motorola 14-pin OnCE connector.

JTAG Header Connector Pin Assignments (top view)



The connector on the target system should be placed as close as possible to the processor to ensure signal integrity.

JTAG Header Connector Pin Numbering (top view)



Connecting the Emulation Probe to Your Target System

Connecting the Emulation Probe to Your Target System

This chapter shows you how to connect the emulation probe to the target system and how to configure the emulation probe and target.

Here is a summary of the steps for connecting and configuring the emulation probe:

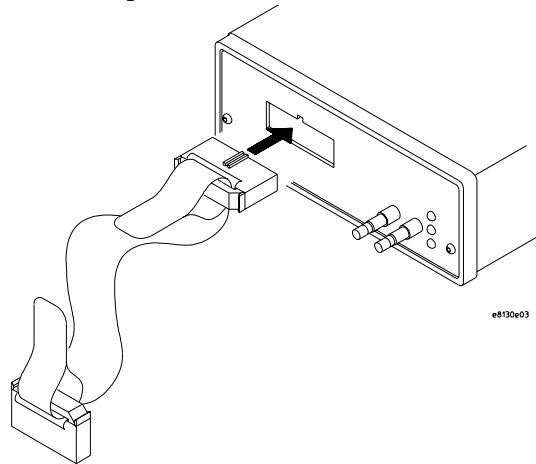
- 1** Make sure the target system is designed to work properly with the emulation probe. (See page 53.)
- 2** Install the emulation module in your logic analysis system, if necessary. (See page 43.)
- 3** Connect the emulation probe to a LAN. (See page 25.)
- 4** Connect the emulation probe to your target system using the ribbon cable. (See page 59.)
- 5** Update the firmware of the emulation probe, if necessary. (See page 103.)
- 6** Configure the emulation probe. (See page 63.)
- 7** Connect a debugger to the emulation probe, if applicable. (See page 79.)

To connect the emulation probe to the target system

The emulation probe can be connected to a target system through a 14-pin JTAG port connector (a 14-pin male 2x7 header connector on the target system).

The emulation probe should be connected to the target system using the ribbon cable provided.

- 1 Turn off power to the target system.
- 2 Turn off power to the emulation probe.
- 3 Plug the un-keyed end (pin 8 is open) of the ribbon cable into the emulation probe.



Connecting the Emulation Probe to Your Target System

To connect the emulation probe to the target system

- 4 Plug the keyed end of the cable (pin 8 is blocked) into the JTAG debug port on the target system.

CAUTION:

Be sure to orient the connector correctly. If the connector is rotated, your target system or the emulation probe may be damaged.

- 5 Turn on power to the emulation probe.
- 6 Turn on power to the target system.

After you have connected the emulation probe to your target system, you may need to update the firmware in the emulation probe.

See Also

For information on designing a debug port on your target board, see page 53.

For a list of the parts supplied with the emulation probe, see page 18.

Configuring the Emulation Probe

Configuring the Emulation Probe

The emulation probe has several user-configurable options. These options may be customized for specific target systems and saved in configuration files for future use.

The easiest way to configure the emulation probe is through the Emulation Control Interface in an Agilent 16700-series logic analysis system.

For more information on starting the emulation control interface, select Help... from the emulation probe/module icon.

If you use the Emulation Control Interface, please refer to the online help in the Configuration window for information on each of the configuration options.

Other ways to configure the emulation probe are by using:

- The emulation probe's built-in terminal interface
- Your debugger, if it provides an "emulator configuration" window which can be used with this emulation probe

What can be configured

The following options can be configured using built-in commands:

- Processor type
- Break in behavior
- Trigger out behavior.
- Restriction to real-time runs
- JTAG clock speed
- Voltage reference
- Voltage threshold

The chapter ends with a section on Configuring the Emulation Probe for Maximum Performance.

To configure the processor type

Processor type configuration

Value	Emulation module configured for	Built-in command
MMC2107	Motorola MMC2107 core	cf proc=MMC2107

The `cfsave -s` command will store the processor type configuration in the emulation module's flash memory. The `cfsave -r` command will restore this configuration.

To configure the Break In SMB port

If you have an emulation probe, but you do not have an emulation module, use the following table to configure the behavior of the Break In SMB connector on the front of the emulation probe. Break in will assert the \overline{DE} line on the MMC2107 target processor.

When the emulation probe is connected to an emulation module via the module/probe interconnect cable, this configuration item is always set to **rising** for compatibility with intermodule triggering.

If you need to break on a falling edge, either trigger from the logic analysis system or use the emulation probe without the emulation module.

Break in configuration

Value	Emulation probe Break In	Built-in command
rising	The emulation probe will cause a break into monitor on a rising edge. (Default)	cf breakin=rising
falling	The emulation probe will cause a break into monitor on a falling edge.	cf breakin=falling
off	Inputs to Break In will be ignored.	cf breakin=off

There is a delay of about 400 μ s between receiving the edge and stopping the processor if you have not connected the \overline{DE} line to the MMC2107 through the target interface connector (see page 54).

To configure the Trigger Out SMB port

If you have an emulation probe, but you do not have an emulation module, use the following table to configure the behavior of the Trigger Out SMB connector on the front of the emulation probe.

If you have an emulation module, the trigger out behavior is always set to **monhigh** for compatibility with intermodule triggering.

Trigger out configuration

Value	Emulation probe Trigger Out will be	Built-in command
monhigh	Logic high when the processor is running in background (Default)	cf trigout=monhigh
monlow	Logic low when the processor is running in background	cf trigout=monlow
fixhigh	Fixed logic high	cf trigout=fixhigh
fixlow	Fixed logic low	cf trigout=fixlow

To configure restriction to real-time runs

This option enables or disables restriction to real-time runs implemented for all commands other than "rst", "b", "s" and "r".

Real-time runs configuration

Value	Emulation module configured for	Built-in command
no	If the processor is running user code, a request for a register or memory display will put the processor in monitor mode, read the requested register(s), then restore the processor to running user code. (Default)	cf rrt=no
yes	If the processor is running user code, a request for a memory or register display will return: !ERROR 647! Restricted to Real Time	cf rrt=yes

If your debugger allows displaying or modifying memory or registers while the processor is running, you must set rrt=no in order to use that feature.

To configure the JTAG clock speed (communication speed)

The emulation probe needs to be configured to communicate at a rate which is compatible with your target processor. The JTAG clock speed is independent of processor clock speed.

Some target systems that have additional loads on the JTAG lines or target systems that do not quite meet the requirements (described in Chapter 5, “Designing a Target System,” beginning on page 53) may have run control problems. Setting the JTAG communication speed to a slower setting may allow the emulation probe to work.

The speed value is a number followed by either K, which indicates the value is in kHz, or M, which indicates the value is in MHz. The clock can be set to speeds in the range 512 kHz to 20 MHz. Not all values in this range are valid; if an invalid speed is entered, the next slower valid speed will be used.

Entering `cf speed` without a value will display the current JTAG clock speed.

JTAG clock speed configuration

Value	Built-in command
512K - 20M (Default = 10 M)	<code>cf speed=value</code>

See Also

“Configuring the Emulation Probe for Maximum Performance” on page 70

To configure the voltage reference

The emulation probe uses the Target_VDD signal on the JTAG connector to determine logic high and logic low levels when driving the TDI and TCK signals.

Voltage Reference Configuration

Value	Meaning	Built-in command
external	The voltage reference is generated by the target system. (Default)	cf vref=external
value	The voltage reference of <i>value</i> is generated internally by the emulation probe. The value is a number followed by either mV, which indicates the value is in millivolts, or V, which indicates the value is in volts.	cf vref= <i>value</i>

CAUTION:

This option should only be used if the core voltage is different than that of the Vref signal on the JTAG connector. Use this option with extreme care, because it is possible to damage the target system if the voltage level is chosen incorrectly.

To configure the voltage threshold

Threshold for voltage reference. Voltages above ($v_{ref} * thresh$) will be considered logic high and voltages below this level will be considered logic low.

Voltage Threshold configuration

Value	Built-in command
1/2 of Target_Vdd (Default)	cf thresh=1/2
2/3 of Target_Vdd	cf thresh=2/3
1/3 of Target_Vdd	cf thresh=1/3

Configuring the Emulation Probe for Maximum Performance

The performance of the emulation probe depends on the speed at which it communicates with the target system. Better performance is obtained with faster communication speeds.

Setting TCK speed

On JTAG debug ports the communication speed is controlled by the clock signal TCK. This signal is generated by the emulation probe. You can set the speed of TCK using the Emulation Control Interface in a 16700-series logic analysis system or by using the **cf speed** command through a telnet or debugger connection to the emulation probe.

To change TCK speed, send a **cf speed=x** command to the probe. To restore default, send an **init -c** command. For more information about cf speed, send a **help cf speed** command to the probe. Also note that some debuggers allow the speed to be set from within their GUI or from a command file.

When to decrease TCK speed

Emulation probes are configured at the factory with a default TCK speed. In most cases, this is equal to the maximum allowable speed as specified by the manufacturer (see the table). This speed is suitable for most applications. However, this speed is only valid if 1) the processor is running at its full rated speed, 2) trace lengths from the processor to the JTAG connector are short (two inches or less), and 3) there are no stubs on the JTAG signals. If the emulation probe cannot communicate reliably with the target system using the factory default speed, TCK speed must be reduced.

When to increase TCK speed

Some target systems will allow TCK speeds greater than the default. The real maximum speed for a given target system can be determined empirically by increasing the speed and observing if the communication to the target is reliable. However, please note that speeds greater than the default are not officially supported by Agilent or the chip manufacturer.

Configuring the Emulation Probe
Configuring the Emulation Probe for Maximum Performance

Processor	Manufacturer Spec. Max TCK (MHz)	Emulation Probe Factory Default TCK (MHz)	Emulation Probe Max TCK (MHz)
M•CORE	$1/2 f_{\text{sys}}$	10	20

Configuring the Emulation Probe

Configuring the Emulation Probe for Maximum Performance

Using the Emulation Probe

To connect the emulation probe to a power source

The emulation probe is shipped from the factory with a power supply and cord appropriate for your country. If the cord you received is not appropriate for your electrical power outlet type, contact your Agilent Technologies sales and service office.

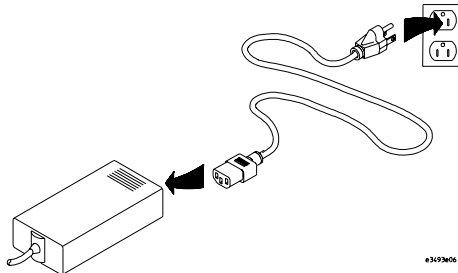
WARNING:

Use only the supplied Agilent F1044B power supply and cord. Failure to use the proper power supply could result in electric shock.

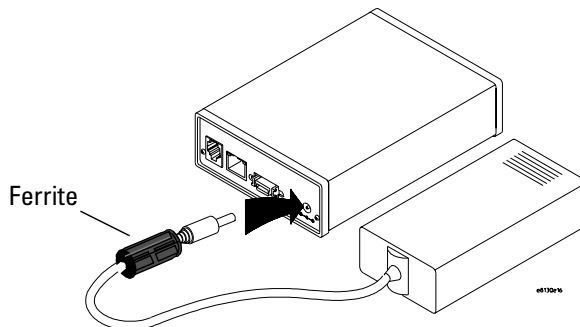
CAUTION:

Use only the supplied Agilent power supply and cord. Failure to use the proper power supply could result in equipment damage.

- 1 Install the ferrite on the 12V power cord, near the end which plugs into the emulation probe.
- 2 Connect the power cord to the power supply and to a socket outlet.



- 3 Connect the 12V power cord to the back of the emulation probe.



- 4 Turn on the emulation probe power switch.

Connection Sequence

Disconnect power from the target system, emulation probe, and logic analyzer before you make or break connections.

- 1** Connect the emulation probe to a LAN (page 25).
 - 2** Connect the emulation probe to your target system (page 57).
 - 3** Configure the emulation probe (page 63).
-

To power on the system

With all components connected, power on your system as follows:

- 1** Logic analyzer, if you are using one.
 - 2** Emulation probe.
 - 3** Your target system.
-

To power off the system

Power off your system as follows:

- 1** Your target system.
- 2** Emulation probe.
- 3** Logic analyzer, if you are using one.

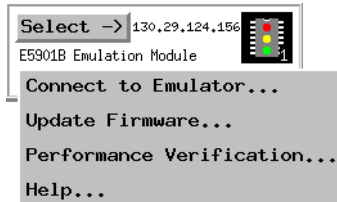
Using the Emulation Control Interface

The Emulation Control Interface lets you run, stop, break, and reset the target processor. The Emulation Control Interface can be accessed through a 16700-series logic analysis system.

Using the emulation probe with a 16700-series logic analysis system via an emulation module

The following instructions explain how to use the emulation probe with a 16700-series logic analysis system which has an emulation module installed.

- 1 Select the emulation module icon in the **System** window.
- 2 Select **Connect to Emulator...** from the menu choices.



- 3 Select the **Connect to Emulator** button.



- 4 The emulation **Run Control** window will appear, which lets you use the Emulation Control Interface.



Using the emulation probe with a 16700-series logic analysis system via a LAN connection

The following instructions explain how to use the emulation probe via a LAN connection to a 16700-series logic analysis system.

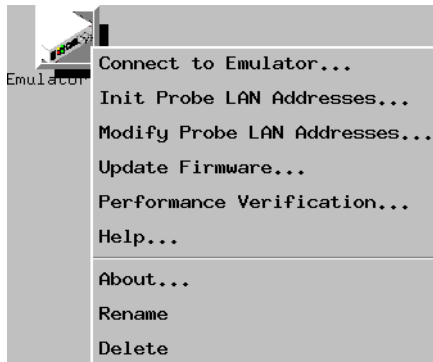
- 1 Select the emulation probe icon in the **Workspace** window.



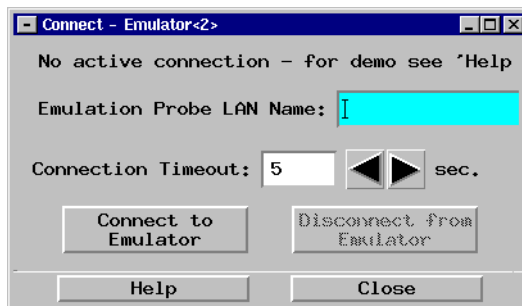
NOTE:

Use the scroll bar on the left side of the window to locate this icon.

- 2 Select **Connect to Emulator...** from the menu choices.



- 3 Enter the emulation probe's LAN name or IP address and select the **Connect to Emulator** button.



Using the Emulation Probe
Using the Emulation Control Interface

- 4 The emulation **Run Control** window will appear.



Using the Emulation Probe with a Debugger

Several prominent companies design and sell state-of-the-art source debuggers which work with the Agilent emulation modules and emulation probes.

Benefits of using a debugger

The debugger will enable you to control the execution of your processor from the familiar environment of your debugger. Using a debugger lets you step through your code at the source-code level.

With a debugger connection, you can set breakpoints, single-step through source code, examine variables, and modify source code variables from the debugger interface. The debugger can also be used to download executable code to your target system.

Using a debugger to connect to the emulation probe allows the entire design team to have a consistent interface from software development to hardware/software integration.

Debugger interfaces must be ordered directly from the debugger vendor.

Compatibility with other logic analysis system tools

You can use your logic analysis system to collect and analyze trace data while you use your debugger. You can use a web browser to display the logic analyzer windows right next to your debugger.

Minimum requirements

To use a debugger with the emulation probe, you will need:

- A debugger which is compatible with the emulation probe
- A LAN connection to the PC or workstation that is running the debugger
- A web browser or X windows or an X terminal emulator, such as Reflection X on a PC. This is required only if you wish to have the logic analysis system user interface displayed on your PC or workstation screen, along with the debugger.

Is your debugger compatible with the emulation probe?

Ask your debugger vendor whether the debugger can be used with an Agilent emulation module or emulation probe.

LAN connection

You will use a LAN connection to allow the debugger to communicate with the emulation probe. This is described in Chapter 2, “Connecting the Emulation Probe to a LAN,” beginning on page 25.

Compatibility with the Emulation Control Interface

Do not use the logic analysis system's Emulation Control Interface and your debugger at the same time.

Connecting to an Emulation Module

If you are using an E5901B emulation module, configure your debugger to use the IP address of the E5900B emulation probe, not the logic analysis system.

You may need to tell the debugger which port number to use. The default port number for a debugger connection is 6470.

Do not use the Emulation Control Interface at the same time as a debugger.

Setting up Debugger Software

The instructions in this manual assume that your PC or workstation is already connected to the LAN, and that you have already installed the debugger software according to the debugger vendor's documentation.

To use your debugger with the emulation probe, follow these general steps:

- Connect the emulation probe to the LAN (see page 25).
- Connect the emulation probe to your target system (see “Connecting the Emulation Probe to Your Target System” on page 57).
- If you are using a logic analysis system, export the logic analysis system's display to your PC or workstation (see “To export the logic analysis system's display to a workstation” on page 82).
- Configure the emulation probe (see “Configuring the Emulation Probe” on page 63).
- Begin using your debugger.

If you use the Emulation Control Interface to configure the emulation probe, remember to end the Emulation Control Interface session before you start the debugger.

CAUTION:

Do not use the Emulation Control Interface at the same time as a debugger. The Emulation Control Interface and debuggers do not keep track of commands issued by other tools. If you use both at the same time, the tools may display incorrect information about the state of the processor, possibly resulting in lost data.

See Also

Refer to the documentation for your debugger for more information on connecting the debugger to the emulation probe.

To export the logic analysis system's display to a web browser

You can export the display of an Agilent 16700-series logic analysis system to your PC or workstation using a web browser. See the online help in your logic analysis system for more information.

To export the logic analysis system's display to a workstation

By exporting the logic analyzer's display, you can see and use the logic analysis system's windows on the screen of your workstation. To do this, you must have telnet software and X window installed on your computer.

- 1 On the workstation, add the host name of the logic analysis system to the list of systems allowed to make connections:

```
xhost +<IP_address>
```

- 2 Use telnet to connect to the logic analysis system.

```
telnet <IP_address>
```

- 3 Log in as "logic".

The logic analysis system will open a Session Manager window on your display.

- 4 In the Session Manager window, select **Start Session on This Display**.

Example

On a UNIX workstation, you could use the following commands to export the display of a logic analysis system named "mylogic":

```
$ xhost +mylogic
$ telnet mylogic
Trying...
Connected to mylogic.mycompany.com.
Escape character is '^]'.
Local flow control on
Telnet TERMINAL-SPEED option ON

Agilent Logic Analysis System

Please Log in as: logic [displayname:0]

login: logic
Connection closed by foreign host.
```

To export the logic analysis system's display to a PC

By exporting the logic analyzer's display, you can see and use the logic analysis system's windows on the screen of your PC. To do this, you must have telnet software and an X terminal emulator installed on your computer. The following instructions use the Reflection X emulator from WRQ, running on Windows 95, as an example.

- 1** On the PC, start the X terminal emulator software.

To start Reflection X, select the Reflection X Client Startup icon.

- 2** Start a telnet connection to the logic analysis system.

Log in as "logic".

For Reflection X, enter the following values in the Reflection X Client Startup dialog:

- a** In the Host field, enter the LAN name or IP address of the logic analysis system.
- b** In the User Name field, enter "logic".
- c** Leave the Password field blank.
- d** Leave the Command field blank.
- e** Select Run to start the connection.

The logic analysis system will open a Session Manager window on your display.

- 3** In the Session Manager window, select **Start Session on This Display**.

Using the Emulation Probe
Setting up Debugger Software

Testing Target System Memory

Testing Target System Memory

Two ways to run the memory tests

Many times when a system under test fails to operate as expected, you will need to determine whether the failure is in the hardware or the software. These tests verify operation of the memory hardware in the system under test.

Two ways to run the memory tests

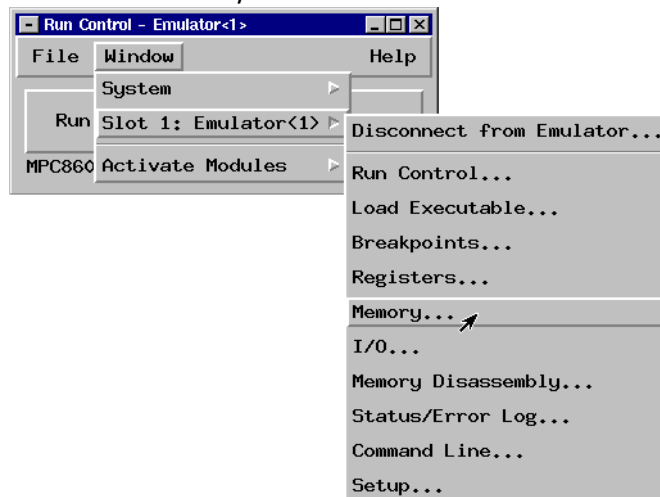
There are two methods for accessing and running the emulation probe's built-in memory tests:

- Through the Emulation Control Interface of a 16700-series logic analysis system
- Using a command line interface (also called terminal interface)

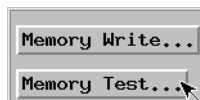
You can use the command line interface through a terminal emulator or through a command window in your debugger.

Using the memory tests with an Agilent 16700 logic analysis system

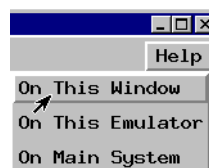
- 1 Connect to the emulator. See “Using the Emulation Control Interface” on page 76 for step-by-step instructions.
- 2 From the menu bar select **Window**, then select the emulator, and select **Memory...**



- 3 Select the **Memory Test...** button and set up the test in the window that appears.



- 4 Select the test type and set the parameters in the window that appears.
- 5 For help using the memory tests select **Help** from the menu bar, then select **On This Window**.



Using the memory tests from a command line interface

You can use the memory tests from a command line interface via a telnet session (see page 40) or via the emulator command window of your debugger.

See page 25 for instructions on making a connection to the emulation probe which will allow you to access the emulation probe via a command line interface.

For general memory test syntax information, enter the following command at the emulation probe command line interface:

help mtest

This will display the following help dialog:

```
mtest - memory test      General Help:

mtest bp [-a1/2/4/8] [-v1-4] [-r1] <start>[...<end>]=<pattern> - basic pattern
mtest ap [-a1/2/4/8] [-v1-4] [-r1] <start>[...<end>] - address pattern
mtest rp [-a1/2/4/8] [-v1-4] [-r1] <start>[...<end>]=<pattern> - rotate pattern
mtest w1 [-a1/2/4/8] [-v1-4] [-r1] <start>[...<end>] - walking ones
mtest w0 [-a1/2/4/8] [-v1-4] [-r1] <start>[...<end>] - walking zeros
mtest or [-a1/2/4/8] [-v1-4] [-r0] <start>[...<end>] - oscilloscope read
mtest ow [-a1/2/4/8] [-v1-4] [-r0] <start>[...<end>]=<pattern> - osc. write
mtest sm - summary command

Syntax Parameters:
-a      memory access size (1,2,4,8 bytes)
-v      verbosity level (level of detail of output)
        -v1 prints end summary only
        -v2 prints status at the end of each repetition
        -v3 prints status at the end of each rep. and up to 10 errors
        -v4 prints status at the end of each rep. and all errors.
-r      number of repetitions to be executed
<start>      memory test start address
<end>       memory test end address
<pattern>    pattern to be written to memory

The following applies to the oscilloscope tests:
Default repetitions is -r0 (repeat forever).
Default verbosity is -v1.
Default access size is provided by mo.

The following applies to all other tests:
Maximum value for repetitions is 10,000.
Default verbosity is -v3.
Default access size is provided by mo.

For more details type '? mtest <test>'
```


Memory Test Patterns

You can use the memory test feature of the emulation probe to perform seven different types of tests. Use these tests to find problems in address lines, data lines, and data storage. Use these tests in combination because no single test can perform a complete evaluation of the target system memory.

The emulation probe provides the following memory tests:

- Basic Pattern - to validate data read-write lines.
- Address Pattern - to validate address read-write lines.
- Rotate Pattern - to validate data read-write lines, and test voltage and ground bounce.
- Walking Ones - to validate individual storage bits in memory.
- Walking Zeros - to validate individual storage bits in memory.
- Oscilloscope Read - to generate the signals associated with reading from memory so they can be viewed on an oscilloscope.
- Oscilloscope Write - to generate the signals associated with writing to memory so they can be viewed on an oscilloscope.

Recommended Test Procedure

Two types of tests are offered for testing target memory: oscilloscope tests, and memory functionality tests.

Oscilloscope Tests

1. Connect the oscilloscope to view activity on the bits of interest.
2. Start an Oscilloscope Read (see page 100) or Oscilloscope Write (see page 101) test, as desired.

The test activity will be written onto the bits you specified continuously until you cancel the test.

Use both the Oscilloscope Read test and the Oscilloscope Write test to thoroughly check the connections of interest.

Memory Functionality Tests

1. Run the Basic Pattern (see page 91) test on the entire Memory Range.

Result:

- No Problems. Perform the Address Pattern (see page 94) test next.
- Problems found. Refer to “If problems were found by the Basic Pattern test” on page 92.

2. Run the Address Pattern (see page 94) test on the entire Memory Range.

Result:

- No Problems.
- Problems found. Refer to “If problems were found by the Address Pattern test” on page 95.

If no problems were found by the Basic Pattern test and the Address Pattern test above, you can ignore the rest of the tests. The memory in your system has been tested thoroughly and it is good.

Basic Pattern test

The Basic Pattern test finds data bits in the specified memory range that are stuck high or low. It also detects data lines that may be tied to power, ground, or not connected at all.

How the Basic Pattern test works

This test writes the *Pattern* and the complement of the *Pattern* to the *Memory Range*, and then compares the values in memory with what was written. The complement of the *Pattern* and then the *Pattern* are then written, read, and compared.

Example:

Entering the command

```
mtest bp -a4 -v1 -r2 20000000..2000000f=55555555
```

will produce the following memory writes and reads:

	First Write/Read	Second Write/Read
20000000	55555555	AAAAAAAA
20000008	AAAAAAAA	55555555

If no errors were found, the following output would appear on your screen:

```
M>mtest bp -a4 -v1 -r2 20000000..2000000f=55555555  

Starting: Basic Pattern Test  

Completed: Basic Pattern Test  

Summary: 2 - PASSED
```

Instructions for using the Basic Pattern test

For help about performing a specific memory test using the Agilent 16700-series logic analysis system, see page 87.

To use the Basic Pattern test from the command line interface, enter **mtest bp <parameters>**. To see a list of the required parameters, enter **? mtest bp**.

For general instructions on using the command line interface see page 131.

Interpreting Basic Pattern test results

Consistent errors such as a particular bit incorrect every four bytes typically indicate a problem with the data lines. Random or sparse errors may indicate hardware data memory errors—check individual locations with the Walking Ones and Walking Zeros tests.

This test will halt and generate an error message if your Memory Range specification causes this test to be performed outside the range of valid memory in your target system.

This test will not halt but it will generate an error message if it is run on ROM or on locations with data line or location errors.

You can open a memory window on your logic analyzer to view the memory content. Expect to see the pattern and the complement of the pattern that was specified.

This test will not always detect errors in the address lines. For example, if a bit in the address lines is stuck high or low, the Pattern Test will write to a different location in memory. Then the read from memory for comparison will also be made from that different location so the data will be correct. Use the Address Pattern test with this test to completely evaluate the memory range.

If problems were found by the Basic Pattern test

Below are two examples of problems found by the Basic Pattern test.

Example 1: Consistent error

```
Starting: Basic Pattern Test
Error: 1 at address 00000200:
  Read      5557  (0101 0101 0101 0111)
  Expected  5555  (0101 0101 0101 0101)
Error: 2 at address 00000204:
  Read      5557  (0101 0101 0101 0111)
  Expected  5555  (0101 0101 0101 0101)
Error: 3 at address 00000208:
  Read      5557  (0101 0101 0101 0111)
  Expected  5555  (0101 0101 0101 0101)
Error: ...
  Read      ...
  Expected  ...
```

Assume the data line bit associated with the error is stuck high. This could happen if the suspected data line bit were soldered to power.

For an additional test of suspected memory, perform the Walking Ones (see page 98) and Walking Zeros (see page 99) tests on the problem memory range.

Example 2: Random errors

```
Starting: Basic Pattern Test
Error: 1 at address 00000200:
  Read      8000  (1000 0000 0000 0000)
  Expected  0000  (0000 0000 0000 0000)
Error: 2 at address 000004a2:
  Read      efff  (1110 1111 1111 1111)
  Expected  ffff  (1111 1111 1111 1111)
Repetition: 1 - FAILED found 2 errors
Completed: Basic Pattern Test
Summary: 1 of 1 - FAILED (2 errors total)
```

From the above listing, we assume there are two location errors in memory. At location 200, there is a bit stuck high. At location 4a0, there is bit stuck low. Use the Walking Ones and Walking Zeros tests to verify the errors.

There is one bit stuck high at location 200 so the Walking Zeros test will print one error message when it tests this location. Use the Walking Ones test to isolate the bit that is stuck low at location 4a0. Again, this will print only one error message.

Address Pattern test

This test verifies that the address lines of the selected memory range are without error.

How the Address Pattern test works

This test writes the address of each memory location as data to each location. The data is then read back to see if it matches the address.

The pattern written to the memory is generated at the start of the test and is dependent upon the start address, access size, and the number of bytes in the memory range.

Depending on the last *Access Size* selected, subsets of the addresses may be written to memory.

Example:

If the last access size was 1 byte, address 00000001 will have 01 written to it, and address 00000002 will have 02 written to it.

The data written in address 00001000 will look like this, depending on the last *Access Size*.

```
1 Byte = 00001000  00 01 02 03 04 05 06 07 08 09 0a 0b 0c 0d 0e 0f
2 Byte = 00001000  1000 1002 1004 1006 1008 100a 100c 100e
4 Byte = 00001000  00001000 00001004 00001008 0000100c
8 Byte = 00001000  0000000000001000 0000000000001008
```

The upper four bytes of an 8 Byte access size are not tested for a 4 Byte address. The upper four bytes will always be zeros. Use a smaller access size to test these locations with the Address Pattern test.

Unless the access size is 1 Byte, the odd bits of the memory locations will not be tested. Use the Basic Pattern test to check the odd bits.

Instructions for using the Address Pattern test

For help about performing a specific memory test using the Agilent 16700-series logic analysis system, see page 87.

To use the Address Pattern test from the command line interface, enter **mtest ap <parameters>**. To see a list of the required parameters, enter

? mtest ap.

For general instructions on using the command line interface see page 131.

Interpreting Address Pattern test results

This test does not ensure that the data lines or individual data locations are without error. If a bit is stuck in a memory location, but is stuck in the written value, the stuck bit will not be detected.

You can view the memory in an analyzer memory window of a 16700-series logic analysis system by selecting **Window <emulator> Memory...** Enter ? m at the command line prompt for help viewing memory using a terminal interface. You should see direct correlation between each address and the data stored at that address.

Consistent errors typically indicate problems in the address lines. This is especially likely if the results of the Basic Pattern test were without errors.

Errors in specific memory locations may indicate errors in the memory hardware instead of the address lines.

If problems were found by the Address Pattern test

You may see no errors in the Basic Pattern test, but errors in the Address Pattern test. For example, you might see the following result in the Address Pattern test:

Example:

```
Error: 1 at address 00000000:
  Read      0020 (0000 0000 0010 0000)
  Expected  0000 (0000 0000 0000 0000)
Error: 2 at address 00000002:
  Read      0022 (0000 0000 0010 0010)
  Expected  0002 (0000 0000 0000 0010)
```

You would see that the data stored at locations 00 through 0f is the data that should be at locations 20 through 2f. This indicates an address line problem. Address bit 5 must be stuck low because the addresses that should have been written to the range 20 through 2f were written instead to 00 through 0f.

Random errors typically do not indicate address line errors. Use the Walking Ones (see page 98) and Walking Zeros (see page 99) tests to check the locations of random errors.

Rotate Pattern test

The Rotate Pattern test finds data bits in memory that are stuck high or low. It also detects data lines that may be tied to power ground, or not connected at all. This test can be used to test voltage and ground bounce problems associated with the selected memory range.

How the Rotate Pattern test works

This test writes the *Pattern* and the complement of the *Pattern* to the *Memory Range*, and then compares the values in memory with what was written. Next, the rotated *Pattern* and the rotated complement of the *Pattern* are written, read, and compared. Now the *Pattern* is rotated again, and again it is written, read, and compared. This continues until the rotations of the pattern return it to its original arrangement. That constitutes one *Repetition* of the Rotate Pattern test.

Example:			
Address	First Write/Read	Second Write/Read	Third Write/Read
00000000	01	FE	02
00000001	FE	02	FD
00000002	02	FD	04
00000003	FD	04	FB
00000004	04	FB	08
00000005	FB	08	F7
00000006	08	F7	10
00000007	F7	10	EF
00000008	10	EF	20

Larger *Access Size* selections take more time because they require more patterns to be written to all locations (2-byte *Access Size* requires writing 32 patterns, and 4-byte *Access Size* requires writing 64 patterns).

The *Access Size* you select will affect the appearance of memory when you view memory after a test. When a test is complete, memory contains the last set of patterns that was written to it.

Example:

The following listing is from a Rotate Pattern test which was performed one time with an *Access Size* of 2 bytes, and an initial pattern of 0001.

What you see below is the 32nd set of patterns written to memory during the test.

```
00000000  7fff 0001 fffe 0002 fffd 0004 fffb 0008
00000010  fff7 0010 ffef 0020 ffd5 0040 ffbf 0080
00000020  ff7f 0100 feff 0200 fdff 0400 fbff 0800
00000030  f7ff 1000 efff 2000 dfff 4000 bfff 8000
00000040  7fff 0001 fffe 0002 fffd 0004 fffb 0008
00000050  fff7 0010 ffef 0020 ffd5 0040 ffbf 0080
00000060  ff7f 0100 feff 0200 fdff 0400 fbff 0800
00000070  f7ff 1000 efff 2000 dfff 4000 bfff 8000
```

Instructions for using the Rotate Pattern test

Since the Rotate Pattern test is designed to rotate a single bit through memory, it is generally best to use a pattern such as 01, 0001, or 00000001.

For help about performing a specific memory test using the Agilent 16700-series logic analysis system, see page 87.

To use the Rotate Pattern test from the command line interface, enter **mtest rp <parameters>**. To see a list of the required parameters, enter **? mtest rp**.

For general instructions on using the command line interface see page 131.

Interpreting Rotate Pattern test results

You can open a memory window on your logic analyzer to view the memory content. Expect to see the pattern and the complement of the pattern that was specified.

Consistent errors such as a particular bit incorrect every four bytes typically indicate a problem with the data lines. Random or sparse errors may indicate hardware data memory errors—check individual locations with the Walking Ones and Walking Zeros tests.

This test will halt and generate an error message if your Memory Range specification causes this test to be performed outside the range of valid memory in your target system.

Testing Target System Memory

Memory Test Patterns

This test will not halt but it will generate an error message if it is run on ROM or on locations with data line or location errors.

Walking Ones test

How the Walking Ones test works

The Walking Ones test finds data bits stuck in logical "0". This test cycles "1" through each bit position in memory, and checks results. It does this by writing and then reading a pattern sequence of ones and zeros from all memory locations in the range.

Example:

The hexadecimal values 01, 02, 04, ... are written to each location in the *Memory Range*.

Address	1st	2nd	3rd	4th	5th	6th	7th	8th
00000000	01	02	04	08	10	20	40	80
00000001	02	04	08	10	20	40	80	01
00000002	04	08	10	20	40	80	01	02
00000003	08	10	20	40	80	01	02	04
00000004	10	20	40	80	01	02	04	08

1st, 2nd, 3rd, etc. are the first, second, third, etc. complete passes through the memory.

Larger *Access Size* selections take more time because they require more patterns to be written to all locations (2-byte *Access Size* requires writing 16 patterns, and 4-byte *Access Size* requires writing 32 patterns).

Example:

2-byte Access Size writing 16 patterns:

Address	1st	2nd	3rd	4th	5th	6th	7th	8th	9th	...	16th
00000000	0001	0002	0004	0008	0010	0020	0040	0080	0100	...	8000
00000001	0002	0004	0008	0010	0020	0040	0080	0100	0200	...	0001
00000002	0004	0008	0010	0020	0040	0080	0100	0200	0400	...	0002
00000003	0008	0010	0020	0040	0080	0100	0200	0400	0800	...	0004
00000004	0010	0020	0040	0080	0100	0200	0400	0800	1000	...	0008

Instructions for using the Walking Ones test

For help about performing a specific memory test using the Agilent 16700-

series logic analysis system, see page 87.

To use the Walking Ones test from the command line interface, enter **mtest w1 <parameters>**. To see a list of the required parameters, enter **? mtest w1**.

For general instructions on using the command line interface see page 131.

Walking Zeros test

The Walking Zeros test finds data bits stuck in logical "1".

How the Walking Zeros test works

This test cycles "0" through each bit position in memory, and checks results.

Example:

The hex values FE, FD, FB, ... are written to each location in the *Memory Range*.

Address	1st	2nd	3rd	4th	5th	6th	7th	8th
00000000	FE	FD	FB	F7	EF	DF	BF	7F
00000001	FD	FB	F7	EF	DF	BF	7F	FE
00000002	FB	F7	EF	DF	BF	7F	FE	FD
00000003	F7	EF	DF	BF	7F	FE	FD	FB
00000004	EF	DF	BF	7F	FE	FD	FB	F7

1st, 2nd, 3rd, etc. are the first, second, third complete pass through the memory.

Larger *Access Size* selections take more time because they require more patterns to be written to all locations (2-byte *Access Size* requires writing 16 patterns, and 4-byte *Access Size* requires writing 32 patterns).

Example:

2-byte Access Size writing 16 patterns:

Address	1st	2nd	3rd	4th	5th	6th	7th	8th	9th	...	16th
00000000	FFFE	FFFD	FFFB	FFF7	FFEF	FFDF	FFBF	FF7F	FEFF	...	7FFF
00000001	FFFD	FFFB	FFF7	FFEF	FFDF	FFBF	FF7F	FEFF	FDFD	...	FFFE
00000002	FFFB	FFF7	FFEF	FFDF	FFBF	FF7F	FEFF	FDFD	FBFF	...	FFFD
00000003	FFF7	FFEF	FFDF	FFBF	FF7F	FEFF	FDFD	FBFF	F7FF	...	FFFB
00000004	FFEF	FFDF	FFBF	FF7F	FEFF	FDFD	FBFF	F7FF	FEFF	...	FFF7

Instructions for using the Walking Zeroes test

For help about performing a specific memory test using the Agilent 16700-series logic analysis system, see page 87.

To use the Walking Zeroes test from the command line interface, enter **mtest w0 <parameters>**. To see a list of the required parameters, enter **? mtest w0**.

For general instructions on using the command line interface see page 131.

Oscilloscope Read test

How the Oscilloscope Read test works

This test repetitively reads the present content from the *Memory Range* for the number of *Repetitions* specified, typically reads continuously until cancelled.

NOTE:

The Oscilloscope Read test does not print or store the data it has read.

Instructions for using the Oscilloscope Read test

Connect your oscilloscope to view signals on the lines to be tested. These will be the signals generated to perform read transactions from the memory in your target system.

When you have finished using your oscilloscope to view the read-from-memory signals:

- If you are using a 16700 logic analysis system, select the *Cancel* button in the *Busy* dialog box.
- If you are using the command line interface, press Ctrl+C.

You will see an error message if your test attempts to read memory addresses outside the range of available memory.

For help about performing a specific memory test using the Agilent 16700-series logic analysis system, see page 87.

To use the Oscilloscope Read test from the command line interface, enter **mtest or <parameters>**. To see a list of the required parameters, enter **? mtest or**

For general instructions on using the command line interface see page 131.

Oscilloscope Write test

How the Oscilloscope Write test works

This test repetitively writes your selected *Pattern* to the *Memory Range* for the number of *Repetitions* specified, typically continuously until cancelled.

If your pattern is larger than the access size, it will be truncated to fit. If your pattern is smaller than the access size, it will be zero-padded to fit.

This test does not generate error messages for unsuccessful write transactions, such as writes to ROM.

If desired, you can open a memory window in the logic analyzer and view the memory where the pattern was written. If the memory is ROM or if it contains errors, it may not contain the pattern that was written.

Instructions for using the Oscilloscope Read test

Connect your oscilloscope to view signals on the lines to be tested. These will be the signals generated to perform write transactions to the memory in your target system.

When you have finished using your oscilloscope to view the write-to-memory signals:

- If you are using a 16700 logic analysis system, select the *Cancel* button in the *Busy* dialog box.
- If you are using the command line interface, press Ctrl+C.

You will see an error message if your test attempts to write to memory addresses outside the range of available memory.

For help about performing a specific memory test using the Agilent 16700-series logic analysis system, see page 87.

To use the Oscilloscope Write test from the command line interface, enter **mtest ow <parameters>**. To see a list of the required parameters, enter **? mtest ow**.

For general instructions on using the command line interface see page 131.

Memory Test Patterns

Updating Firmware

Updating Firmware

Firmware gives your emulation probe a “personality” for a particular processor or processor family.

After you have connected the emulation probe to your target system, you may need to update the firmware to give it the right personality for your processor.

Update the firmware if:

- You need to change the personality of the emulation probe for a new processor.
- You have an updated version of the firmware from Agilent Technologies.

Updating Firmware When Operating With a Debugger

To display current firmware version information

- Use `telnet` to access the built-in "terminal interface" and use the `ver` command to view the version information for firmware currently in the emulation probe.

To update firmware from the web

To update the firmware, you must have access to the World Wide Web and a PC or a workstation connected to your emulation probe.

- 1 Download the new firmware from the following web site:

`http://www.agilent.com/find/emulator`

The firmware will be in the "Emulator and Emulation Solutions Software" or "Technical Support" section of this web site.

- 2 Follow the instructions on the web site for installing the firmware.

To update firmware from a floppy disk

- Follow the instructions on the README file on the floppy disk.

The firmware can be installed using either a PC or a workstation which can read PC disks.

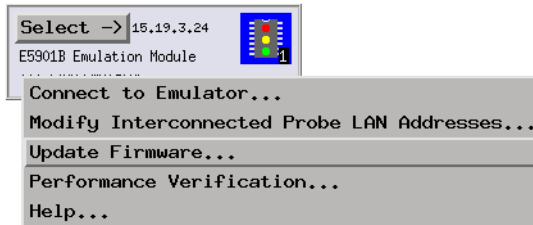
Updating Firmware With a Logic Analysis System

Always update firmware by installing a processor support package. This will ensure that the version of the Emulation Control Interface software is compatible with the version of the emulation probe firmware.

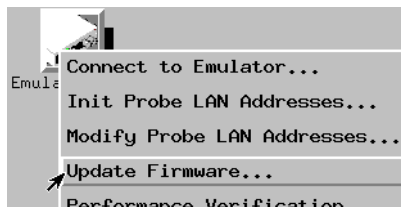
To display current firmware version information

- 1 Open the Update Firmware window.

For an emulation module: In the system window, select the emulation module and select **Update Firmware...**



For an emulation probe: In the Workspace window, drag the emulation probe icon onto the workspace then select **Update Firmware...**



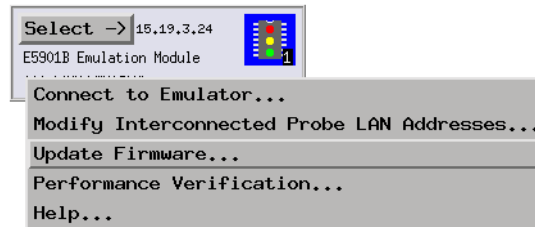
- 2 In the Update Firmware window, select **Display Current Version**.

There are usually two firmware version numbers: one for “Generics” and one for the personality of your processor.

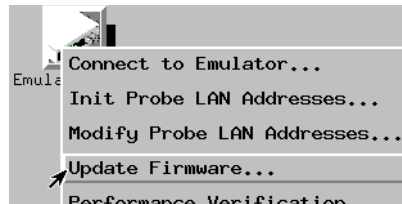
To update firmware using the Emulation Control Interface

- 1 End any run control sessions which may be running.
- 2 Install the processor support package from the CD-ROM, if necessary.
- 3 Open the Update Firmware window.

For an emulation module: In the system window, select the emulation module and select **Update Firmware...**



For an emulation probe: In the Workspace window, drag the emulation probe icon onto the workspace then select **Update Firmware...**



- 4 In the Update Firmware window, select the firmware to load into the emulation module.
- 5 Select **Update Firmware**.

In about 80 seconds, the firmware will be installed and the screen will update to show the current firmware version.

See also

“Installing Software” beginning on page 48 for instructions on how to install the processor support package from the CD-ROM.

To update firmware for an emulation probe using the Setup Assistant

The Setup Assistant is an online tool for connecting and configuring your logic analysis system for microprocessor and bus analysis. The Setup Assistant is available on Agilent 16700-series logic analysis systems.

This menu-driven tool will guide you through the connection procedures for connecting the logic analyzer to an analysis probe, an emulation probe, or other supported equipment. It will also guide you through connecting an analysis probe to the target system.

- 1 Install the processor support package from the CD-ROM.
- 2 Start the Setup Assistant by selecting its icon in the system window.



- 3 Follow the instructions displayed by the Setup Assistant.

See also

Page 48 for instructions on how to install a the processor support package from the CD-ROM.

Installing an Agilent E5902B
Emulation Migration

This chapter will tell you how to install an Agilent E5902B emulation migration so that you can use your emulation probe with a new processor family.

The E5902B emulation migration can be used with any E5900B emulation probe. It cannot be used with E5900A emulation probes.

Will I need to change the target board adapter?

A target board adapter is supplied with the emulation migration. Some target board adapters are compatible with more than one Agilent E5900B option number. Steps 4 through 7 of the procedure that follows show how to replace the target board adapter.

The following table shows whether you will need to replace the target board adapter.

From Option #	Converting the E5900B Emulation Probe To Option #						
	060	070	080	090	100	110	300
060 (MPC6XX)			change				change
070 (MPC7XX)			change				change
080 (MPC8XX)	change	change		change	change	change	change
090 (M•CORE)			change				change
100 (MPC82XX)			change				change
110 (MPC74XX)			change				change
300 (ARM)	change	change	change	change	change	change	

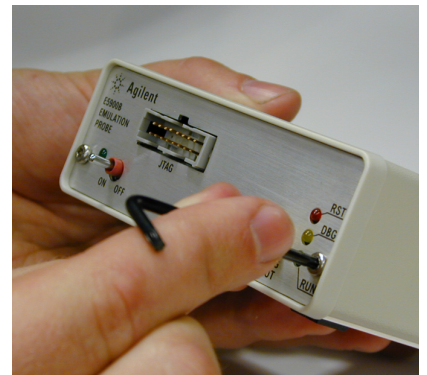
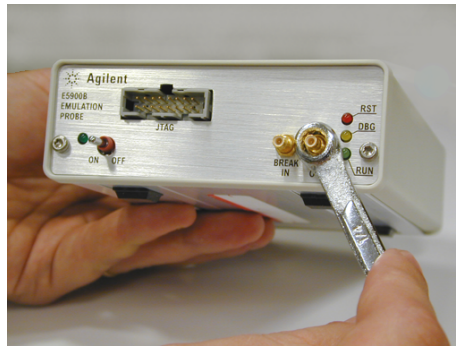
To install the emulation migration

CAUTION:

Electrostatic discharge can damage electronic components. Use grounded wrist straps and mats.

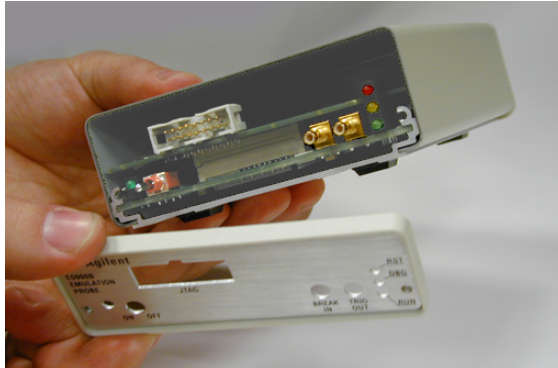
The tools necessary for this procedure are supplied with the emulation migration.

- 1 Turn off power to the emulation probe.
- 2 Disconnect all cables from the emulation probe, including the power cord, LAN cable, serial cable, module/probe interconnect cable, and target cable.
- 3 Remove the cover from the emulation probe:
 - a Remove the 2 nuts and 2 screws from the front of the emulation probe.

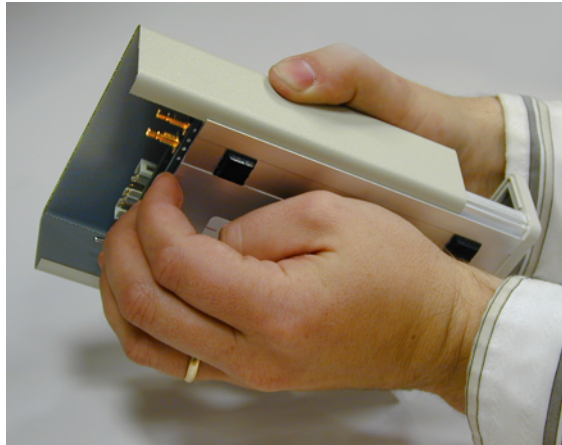


Installing an Agilent E5902B Emulation Migration

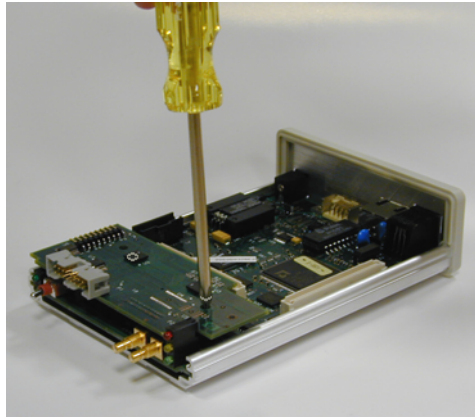
- b** Remove the front panel.



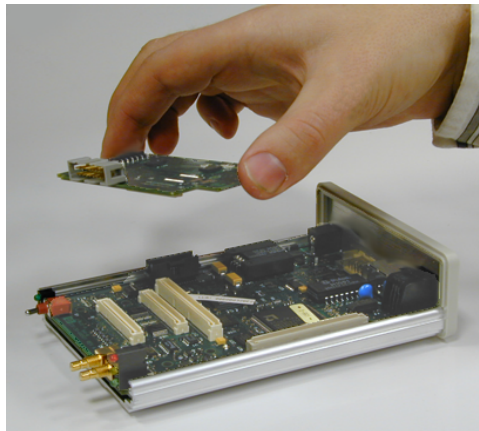
- c** Grasp the top cover with one hand. With the other hand, pull the plate on the bottom of the emulation probe, so that the top cover slides off.



- 4 Remove the 3 nylon screws from the target board adapter.



- 5 Carefully lift the target board adapter from the main circuit board.

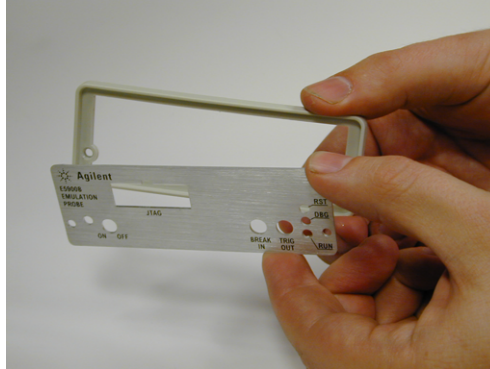


Do not turn on power to the emulation probe when no target board adapter is installed.

You cannot run performance verification tests or make any measurements without a target board adapter.

- 6 Install the new target board adapter on the main circuit board.
Align both connectors and press down firmly.
- 7 Replace the 3 nylon screws.

- 8 Reinstall the cover on the emulation probe:
 - a Slide the top cover into place.
 - b Assemble the new front panel.



- c Attach the front panel using the 2 screws and 2 nuts.
- 9 Connect the LAN cable, module/probe interconnect cable (if you will be using the emulation probe with an emulation module), and the LAN cable to the emulation probe. Do not connect a target cable yet.
- 10 Turn on power to the emulation probe.
- 11 Update the emulation probe's firmware.

See Chapter 10, "Updating Firmware," beginning on page 103 for instructions on how to update firmware.
- 12 Run the performance verification test.

See page 151 for instructions on testing the emulation probe.
- 13 Connect the emulation probe to your target system.

See Chapter 6, "Connecting the Emulation Probe to Your Target System," beginning on page 57, and your emulation or solution *User's Guide* for instructions on how to make this connection.

Specifications and Characteristics

Specifications and Characteristics

The following operating characteristics are not specifications, but are typical operating characteristics for the Agilent Technologies E5900B emulation probe and E5901B emulation module.

Operating characteristics

The following operating characteristics are not specifications, but are typical operating characteristics.

Input/Output Electrical Characteristics

Trigger Out SMB Port

With a 50 Ω load, a logic high is ≥ 2.0 V, and a low is ≤ 0.4 V. The output function is selectable (see “To configure Trigger Out” on page 69).

Break In SMB Port

Edge-triggered TTL level input, 20 pF, with 4.6 k Ω to ground in parallel. Maximum input: +5 V to -5 V when the trace port analyzer is powered OFF; +10 V to -5 V when the trace port analyzer is powered ON. Input function is selectable (see “To configure Break In” on page 69).

Communication Ports

Serial Port

RJ12 connector (DB9-to-RJ12 adapter and serial cable included). RS-232 DCE to 9600 baud, 8-bit, no parity, one stop bit.

IEEE 802.3 Type 10/100Base-TX LAN Port

RJ-45 connector, is compatible with both 10 Mbps (10Base-T) and 100 Mbps (100Base-TX) twisted-pair ethernet LANs.

Power Supply

Input. 100-240 V, 1.0 A, 50/60 Hz, IEC 320 connector.

Output. 12 V, 3.3 A

CAT I (Mains isolated). Pollution degree 2.

Emulation Probe Characteristics

Microprocessor Compatibility	Motorola M•CORE MMC2107
-------------------------------------	-------------------------

Input Characteristics							
Signal	Symbol	1/3 Vref		1/2 Vref		2/3 Vref	
		Min	Max	Min	Max	Min	Max
TDO	Vih	0.5 Vref	5.1 V	0.65 Vref	5.1 V	0.8 Vref	5.1 V
	Vil	-0.1V	0.2 Vref	-0.1 V	0.35 V	-0.1 V	0.5 Vref
	Ib (Bias)	+/- 15 uA					
	Rin	4.7 kΩ pullup to Vref					
	Cin	TDO = 75 pF					

Input Characteristics			
Signal	Symbol	Min	Max
Target_VDD	Vin	1.65 V	5.5 V
	Rin	25 kΩ pulldown to ground	
TARGET_RESET	Rin (inactive)	4.7 kΩ pullup to Vref	
	Rin (active)	12 Ω pulldown to ground	
	Cout		200 pF
	Vin		5.5 V

Output Signal Characteristics		
Signal	Symbol	Condition
TDI, $\overline{\text{TMS}}$, $\overline{\text{TRST}}$, TCK ¹ , $\overline{\text{DE}}$ ²	Voh/Ioh	66 Ω +/- 15 ohms to Vref
	Vol/Iol	66 Ω +/- 15 ohms to 0.2 V
¹ These signals must not be actively driven by the target system when the debug port is being used. ² The $\overline{\text{DE}}$ signal can be asserted by either the emulation probe or the target system.		

Environmental Characteristics

Temperature	Operating: +5°C to +40°C (+41°F to +104°F) Nonoperating: -40°C to +70°C (-40°F to +158 °F)
Altitude	Operating/nonoperating 4600 m (15 000 ft)
Relative Humidity	15% to 95% @ 40°C for 24 hrs.

For indoor use only.

Emulation module environmental characteristics

The Agilent E5901B emulation module meets the environmental characteristics of the logic analysis system in which it is installed.

For indoor use only.

Specifications and Characteristics
Environmental Characteristics

Troubleshooting the Emulation Probe

Troubleshooting the Emulation Probe

If you have problems with the emulation probe, your first task is to determine the source of the problem. Problems may originate in any of the following places:

- The connection between the emulation probe and your debugger
- The emulation module or emulation probe itself
- The connection between the emulation probe and the target system
- The target system

You can use several means to determine the source of the problem:

- The troubleshooting guide beginning on the next page
- The status lights on the emulation probe
- The emulation probe "performance verification" tests
- The emulation probe's built-in commands

The information in this chapter is presented in the following sections:

- General Troubleshooting
- Status Lights
- Using the Emulation Probe Command Line Interface
- Problems with the Target System
- Problems with the LAN Interface
- Problems with the Serial Interface
- Problems with the Emulation Module
- Problems with the Emulation Probe
- Returning Parts for Service
- To Obtain Replacement Parts

General Troubleshooting

If you have trouble using the emulation probe, the following steps may help you identify the problem. This troubleshooting procedure uses the built-in command line interface. For more information on the command line interface, see page 131.

Step 1: Telnet to the emulation probe

Use telnet to connect to the emulation probe across the LAN. (For instructions on how to do this, see “Verifying LAN Communications” on page 39.)

The emulation probe must be reachable via LAN before you can use it.

If you cannot connect to the emulation probe

If you cannot ping or telnet to the emulation probe (“Verifying LAN Communications” on page 39):

- See “Problems with the LAN Interface” on page 145.
 - If you need to change the LAN parameters of the emulation probe, see Chapter 2, “Connecting the Emulation Probe to a LAN,” on page 25.
-

Step 2: Check the prompt

Once you have connected to the emulation probe, press the Enter key a few times and look at the prompt which is displayed.

If a telnet connection to the emulation probe displays the prompt "->"

The "->" prompt indicates that the firmware loaded into the emulation probe is not compatible with the "target board adapter" which is located inside the

Troubleshooting the Emulation Probe

General Troubleshooting

emulation probe.

Try one of the following until you get a different prompt:

- Cycle power on the emulation probe. (Turn off your target power first.)
- Check that the proper firmware is installed for the target board adapter or the type of emulation probe shown on the front panel of the emulation probe.

The proper firmware is installed at the factory but it could accidentally be changed. A "ver" command will display the firmware which is currently loaded. Refer to "Updating Firmware" on page 103 if the firmware is incorrect.

- Run the performance verification tests. Refer to "To run the emulation probe performance verification tests" on page 151.

Connection to the wrong target or connection to the target with the pins connected backward could potentially damage the emulation probe. Use the performance verification tests to validate that the emulation probe itself is working correctly.

If a telnet connection to the emulation probe displays the prompt "?>"

The "?>" prompt indicates that the emulation probe is having trouble talking to the target and it doesn't know what state the target is in.

- Validate that the emulation probe is connect to a powered up target.

Refer to Chapter 6, "Connecting the Emulation Probe to Your Target System," beginning on page 57.

- Check the emulation probe configuration settings.

Enter the **cf** command to display the configuration settings. Note that some emulation probes must set the processor type with **cf proc=processor_type**.

- Decrease the JTAG communication speed. Some targets need slower speeds to properly communicate.

Use the **cf speed** command.

- Check that the proper firmware is installed for this processor.

See Chapter 10, "Updating Firmware," beginning on page 103.

Step 3: Try some simple commands to control the target

Examples of some commands are listed on page 131.

If the emulation probe has problems controlling the target

The emulation probe might be having problems controlling the target if you see messages such as:

"Cannot break"

Or the prompt changes to "?>"

Problems controlling the target can be caused by a variety of conditions. Typically the problem is in the configuration of the emulation probe or the configuration of the target.

Try the following to better control your target:

- Check that the JTAG signals are being driven properly.

See “Designing a Target System” on page 53.

- Decrease the JTAG communication speed. Some targets need slower speeds to properly communicate.

If you are using a telnet connection or a debugger command file, use the **cf speed** command.

- Check the emulation probe configuration settings.

If you are using a telnet connection, enter the **cf** command to display all of the configuration settings.

Pay particular attention to the **cf proc=processor_type** line of the output. If you need to change the processor type, you must load the appropriate firmware into the emulation probe (See “Updating Firmware” on page 103.).

- Check that the emulation probe is not restricted to real-time runs.

If you are using a telnet connection or a debugger command file, use the **cf rrt=no** command.

Troubleshooting the Emulation Probe

General Troubleshooting

Restrict to real time will not allow you to access memory or registers while the target is running. By setting this option to no, you will be able to access the memory and registers while the target is running.

- Check that the target processor is configured.

Some target require configuration registers on the processor to be initialized before the emulation probe can properly communicate with the target.

For example, the MPC860 requires memory chip selects to be defined before the target memory can be accessed. Other processors need their memory controllers initialized.

To initialize the target processor, either run your target from reset (if you have a BOOT ROM) or define a series of emulation probe commands to initialize the target.

Also refer to “Using the Emulation Probe Command Line Interface” on page 131 for additional information about testing a target.

Step 4: Check the emulation module

If you are using an E5901B emulation module, select the emulation module icon and start the Emulation Control Interface.

If you have problems using the emulation probe as an emulation module in a 16700-series logic analysis system

To use the emulation probe as an emulation module in a 16700-series logic analysis system you must have installed an E5901B emulation module and you must connect the emulation probe to the emulation module using the module/probe interconnect cable. In addition, the emulation probe must be connected to the logic analysis system using a LAN.

- Check that the emulation probe and the logic analysis system are on the LAN.

If you are using a site LAN you should be able to ping both the logic analysis system and the emulation probe.

If you are using a point-to-point LAN connection you must use a special crossover LAN cable, such as the one supplied with the emulation module.

The telnet window of the logic analysis system should be able to communicate with the emulation probe. This window can be found by selecting the "System Admin" icon in the main system window.

- Check that the emulation probe is connected to the emulation module with the module/probe interconnect cable.

If this cable is connected, you should be able to display the firmware version from the "Update Firmware" window.

- Check that you have the proper processor support package installed.

You can check this by selecting the System Admin icon in the main system window, then looking at the list of software packages installed.

- Test the emulation module. See page 150.
- Test the emulation probe. See page 151.
- Try using the Setup Assistant to configure your measurement setup.

Step 5: Check your debugger connection

If you are using a debugger, try connecting to the emulation probe.

If you have problems using the emulation probe with a debugger

Most problems are associated with not having the emulation probe and target properly configured or initialized.

Some debuggers have an initialization file that needs to be properly defined before a debugger can connect to the emulation probe.

- Make sure the PC or workstation where the debugger is running can ping the emulation probe. (See “Verifying LAN Communications” on page 39.)
- Initialize the emulation probe and target so that the debugger can connect. Refer to your debugger manual for proper initialization.
- Refer to your debugger manual for proper operation.

If you need to obtain help

If, after following the troubleshooting steps and looking through the other sections in this chapter, the emulation probe still is not working:

- 1** Write down the target processor version, the emulation probe firmware version, and the type of emulation probe (E5900B). See page 106 for instructions on how to display the emulation probe firmware version.
- 2** Call your nearest Agilent Technologies sales or service office.

To locate a sales or service office near you, go to <http://www.tm.agilent.com> and select Assistance.

Status Lights

Emulation Probe Target Status Lights

The emulation probe uses status lights to communicate various modes and error conditions.

The following table gives more information about the meaning of the power and target status lights.

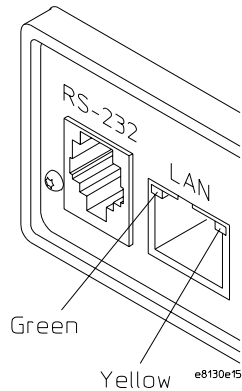
○ = LED is off

● = LED is on

Power/Target Status Lights

Pwr/Target LEDs	Meaning
○ RST ○ DBG ○ RUN	No target system power, or emulation probe is not connected to the target system
● RST ○ DBG ○ RUN	Target system is in a reset state
○ RST ● DBG ○ RUN	The target processor is in Debug Mode
○ RST ○ DBG ● RUN	The target processor is executing user code
○ RST ● DBG ● RUN	Only boot firmware is good (other firmware has been corrupted)
● RST ● DBG ● RUN	The emulation probe can no longer control the target. Reset the target, then initialize the emulation probe.

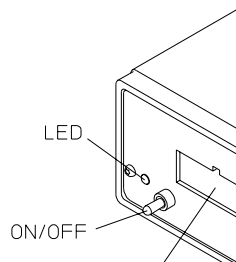
Emulation Probe LAN Status Lights



The yellow LED, on the right side of the connector, indicates LAN activity (receive or transmit).

The green LED, on the left side of the connector, is lit when the LAN interface is operating in 100Base-Tx mode.

Emulation Probe Power On Light



The green LED, to the left of the power switch, is lit when the emulation probe is connected to a power source and the power switch is on.

Using the Emulation Probe Command Line Interface

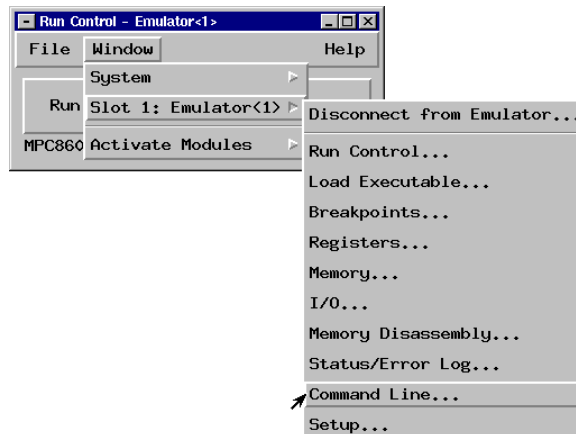
The emulation probe has some built-in commands (also called the “terminal interface”) which you can use for troubleshooting.

You can enter the built-in commands using:

- A telnet (LAN) connection (see page 132).
- The Command Line window in the Emulation Control Interface (see page 131).
- A "debugger command window" in your debugger (see your debugger software instructions).
- A serial connection (see page 28).

To use the command line interface from the logic analysis system

- 1 Connect to the emulator. See “Using the Emulation Control Interface” on page 76 for step-by-step instructions.
- 2 From the Run Control menu bar select **Window**, then select the emulator, and select **Command Line...**



- 3 The command line window will be displayed and available for use.

To telnet to the emulation probe

You can establish a telnet connection to the emulation probe if:

- A host computer and the probe are both connected to a local-area network (LAN), and
- The host computer has the telnet program (often part of the operating system or an internet software package).

To establish a telnet connection:

- 1 Find out the LAN address or LAN name of the emulation probe.
- 2 Start the telnet program.

If the LAN name of the emulation probe is “test2”, the command might look like this:

```
telnet test2
```

- 3 If you do not see a prompt, press the <Return> key a few times.

To exit from this telnet session, type <CTRL>D at the prompt.

To list the emulation probe commands

To list the emulation probe command line mode commands enter:

```
? *
```

To get help on an individual command enter

```
? <command name>
```

Examples

```
? cf Help on configuration questions
```

```
? cf speed Help on configuration speed question
```

To use the built-in commands

Here are a few commonly used built-in commands:

Overview of Useful built-in commands

<code>b</code>	Break—go into the background monitor state
<code>cf</code>	Configuration—read or write configuration options
<code>help</code>	Help—display online help for built-in commands
<code>init</code>	Initialize— <code>init -c</code> re-initializes everything in the emulation probe except for the LAN software
<code>lan</code>	configure LAN address
<code>m</code>	Memory—read or write memory
<code>reg</code>	Register—read or write a register
<code>mtest</code>	Memory test—test target memory system
<code>r</code>	Run—start running user code
<code>rep</code>	Repeat—repeat a command or group of commands
<code>rst</code>	Reset—reset the target processor
<code>s</code>	Step—do a low-level single step
<code>ver</code>	Version—display the product number and firmware version of the emulation probe

Use `help command_name` or `? command_name` to see the command syntax. For example, enter `help m` or `? m` to get help on the memory command.

Examples of built-in commands

Reset, break and run commands

```
rst      To reset the target
b        To break(stop) the target into debug mode
         (Background)
r        To run the target
r 100    To run the target from an address
r rst    To run the target from reset
```

Register commands

```
reg      Read all of the registers
reg pc   Read the program counter
reg pc r0 r1 Read multiple registers
reg pc=200 To Set the pc to 0x200
```

All register and memory values are entered as hexadecimal values and should not be entered with the leading "0x". Use values like "200", NOT "0x200".

Memory commands

```
m 0..ff      Display memory from 0 through ff
m -d1 0..ff=0,1,2,3 Write 0,1,2,3 repetitively
               through the memory 0 to ff
```

Memory test commands

```
mtest bp -a1 0..ff=55      Basic pattern test
                             byte access
mtest bp -a4 -r10 0..ff=55555555 Basic pattern test
                             4-byte access
? mtest                    Additional test
                             information
```

To write a NOP loop into memory

NOTE:

This example is specific to ARM little endian mode. Please adapt this example for the processor type you are using.

```
b                To stop target if not  
                already stopped  
m -d4 200=0,0,0,0,0,0,eafffff8 To write NOP loop into  
                memory  
reg pc=200      To Set the pc
```

To step the program

```
s                Step one instruction  
PC = 00000204   Shows the new location of the PC  
s 10           Step ten instructions  
? s            Additional information on stepping  
? ss          Additional information on source  
                stepping
```

To run the simple NOP program

```
r 200           Run from address 200  
b              To stop the program  
reg pc         To see the location of the PC register  
r              To continue running the program
```

To set a software breakpoint (Memory trap replacement breakpoints)

```
bc -e swbp     Enable Software Breakpoints  
bp -p 204     To set a Software Breakpoint at address  
                204  
bp            To review the breakpoints that are set  
r             To run the program and hit the software  
                breakpoint !ASYNC_STAT 603! Software  
                breakpoint: 00000204  
bp -r *       To remove all software breakpoints
```

To set a hardware breakpoint (On processor breakpoint registers)

(Use this type of breakpoint when debugging ROM)

```
bc -e hwbp      Enable Hardware Breakpoints
bc -h -p 204    To set a hardware breakpoint at
address
                204
r               To run the program and hit the hardware
                breakpoint !ASYNC_STAT 601! Hardware
                breakpoint: 00000204
bp -h -r *      To remove all hardware breakpoints
? bp           To see additional bp capabilities
                (Hardware Breakpoints can be set on
                memory transactions also)
```

To use command line editing

```
<cntrl>-r      To recall last command(s) backward
<cntrl>-b      To recall last command(s) forward
? cl          To show you how to do it
cl -e         To enable command line editing
<ESC>        To enter command line editing mode
```

To build scripts

To build scripts, get the emulload utility from our web site

<http://software.cos.agilent.com/TornadoBackend/index.html>.

Choose a host (at the bottom of the web page), select Continue, and download the compressed backend file. This is a unsupported utility but it will work for most scripts that you may want to build. It is unsupported in that if you find a defect with it we may choose not to fix the defect. The source code of the utility is also available. The emulload utility also has the ability to download ELF, COFF, IEEE695 and S-record files.

To flash memory

This is best left to a debugger interface.

You may also want to use the Emulation Control Interface in the logic analysis system to flash target ROM.

In addition we provide some information at our Web site on how to build scripts to flash parts. Go to www.agilent.com and search for "programming

target flash memory."

To display the emulation probe firmware version

```
ver
```

See Also

Use the **help** command for more information on these and other commands. Note that some of commands listed in the help screens are generic commands for Agilent emulation probes and may not be available for your product.

If you are writing your own debugger, contact Agilent Technologies for more information.

Emulation probe command line prompts

The prompt indicates the status of the emulation probe:

Emulation probe prompts

U>	Running user program
M>	Running in background monitor
p>	No target power
R>	Emulation reset
r>	Target reset
?>	Unknown state
->	Firmware is not properly communicating with the target (Try running " init -p " immediately to correct this condition)
\$	\$ with any prompt indicates to a telnet user that the emulator is in use by a debugger or a logic analysis system's Emulation Control Interface

Configuration commands

The following commands are useful to determine whether your emulation probe is working properly.

<code>cf proc</code>	Read the current processor choice
<code>? cf proc</code>	Show processor types supported by the firmware which has been loaded into the emulation probe
<code>cf proc=MMC2107</code>	Set the processor to type Motorola M•CORE MMC2107
<code>cf speed</code>	Read the speed setting
<code>cf speed=512K</code>	Set the JTAG communication speed to 512 kHz
<code>cf speed=10M</code>	Set the JTAG communication speed to a 10 MHz
<code>help cf speed</code>	Show valid JTAG communication speed choices

Problems with the Target System

What to check first

- Check that the emulation module firmware matches your processor. To do this, enter:

```
M>ver
```

The emulation probe will respond with the firmware version which is currently loaded. To load new firmware, see page 103.

To check the debug port connector signals

- Check for the following logic levels on the emulation probe's target debug port connector.

Levels with the emulation probe connected to the target system:

Header Pin Number	Signal Name	Level
1	TDI	Low
2	Ground	Low
3	TDO	High
4	Ground	Low
5	TCK	Clock at selected speed (See p. 67)
6	Ground	Low
7	GPIO/SI	High
8	key (no connection)	
9	$\overline{\text{TARGET_RESET}}$	Low (Prompt = R)
10	$\overline{\text{TMS}}$	Low
11	TARGET_VDD ¹	VDD
12	$\overline{\text{DE}}$	High
13	GPIO/SO	Low
14	TRST	Low pulse with "rst" command

To interpret the initial prompt

The initial prompt can be used to diagnose several common problems. To get the most information from the prompt, follow this procedure:

- 1 Connect the emulation module to your target system.
- 2 Set the default configuration settings. Enter:

```
M>init -c
```

If you are using the MMC2107 also enter:

```
M>cf proc=MMC2107
```

You can enter this command at any prompt. The emulation module will respond with the same information as printed by the “ver” command.

- 3 Enter the break command:

```
U>b
```

```
M>
```

An error message will be displayed if the system detects a problem. If the prompt after b is "M>" with no error messages, the system is working correctly.

- 4 At the "M>" prompt, check register and memory access:

```
M>reg r0=12345678
```

```
M>reg r0
```

```
reg r0=12345678
```

```
M>
```

If the returned value is equal to the written value, then the V_{DD} level of the chip is probably correct.

Troubleshooting the Emulation Probe

Problems with the Target System

Now enter:

```
M>m -d4 -a4 0=11111111,22222222,33333333,44444444
M>m -d4 -a4 0..
  00000000 11111111 22222222 33333333 44444444
  00000010 00000000 00000000 00000000 00000000
  00000020 00000000 00000000 00000000 00000000
  00000030 00000000 00000000 00000000 00000000
  00000040 00000000 00000000 00000000 00000000
  00000050 00000000 00000000 00000000 00000000
  00000060 00000000 00000000 00000000 00000000
  00000070 00000000 00000000 00000000 00000000
```

If the target memory system is configured, this should write 11111111,22222222,33333333,44444444 to memory starting at 0 and then read back the same values.

M>

- Returned value is equal to the written value implies that memory is working.
- Returned value is not equal to the written value implies that memory control may not be initialized. Consult the memory map of the target system and ensure you are writing and reading valid memory locations.
- Check memory access size using the `mo` command:

M>mo

- Check access size matches target memory `-a0`. The default access size `-a0` is the 32-bit access.

M>mo -d4 -a0

- Repeat above memory test.

5 Load a short program into a valid RAM location:

```
start: add r0,1 - 0x2000
       nop      - 0x1200
       nop      - 0x1200
       nop      - 0x1200
       br start - 0xf7fb
```

```
M>reg r0=0
M>mo -a2 -d2
M>m 10000=2000,1200,1200,1200,f7fb
```

Single step the program and note register r0 contents. It should increment when **add r0,1** is executed.

```
M>s
M>reg r0
M>reg r0=00000001
```

Run the program and check the value of r0.

```
M>r 10000
U>reg r0
   reg r0=00034567 # or some number
U>reg r0
   reg r0=00102333 # or some number
U>
```

This program will loop forever, incrementing r0.

This is a good test program to load once a memory system is up to make sure the microprocessor can run code from memory.

M•CORE-specific error and status messages

The following is a list of unique error messages that may be encountered for this product.

ERROR 143: "All Hardware Instruction Breakpoints In Use"

The MMC2107 firmware allows two hardware breakpoints.

ERROR 145: "Undefined Breakpoint Attribute"

An attempt was made to assign an unrecognized attribute to a breakpoint.

ERROR 610: "Unable to run"

The emulation probe issued a "run" command and the processor is unexpectedly in debug mode. A target system function may have caused the processor to stay in debug mode.

ERROR 646: "No Target Power"

The following is a list of messages indicating interaction between the emulation probe and the target processor.

ASYNC_STAT 180: "Target power is Off"

ASYNC_STAT 643: "Target Reset"

The target processor has been reset.

ASYNC_STAT 601: "Hardware breakpoint: Load/Store"

A hardware breakpoint has been set within the processor.

Problems with the LAN Interface

If you cannot verify LAN communication

If you cannot verify connection using the procedure in "To verify LAN communication", or if commands are not accepted by the emulation probe:

- ❑ Make sure that you have connected the emulation probe to the proper power source and that the power light is lit.
- ❑ Make sure that you wait for the power-on self test to complete before connecting.
- ❑ Check that the Emulation Control Interface or debugger was configured with the correct LAN address. If the emulation probe is on a different subnet than the host computer, check that the gateway address is correct.
- ❑ Make sure that the emulation probe's IP address is set up correctly. To do this, connect the emulation probe to a terminal or terminal emulator and enter the **lan** command. (See "To configure LAN parameters using a serial connection" on page 30.)
- ❑ Make sure that the gateway address is set up correctly. The default gateway address of 0.0.0.0 does not allow the emulation probe to communicate with computers on other subnets.
- ❑ If you have just changed the IP address of the emulation probe, leave the emulation probe powered on and connected to the LAN for a few minutes, then try again. Some hubs, routers, and hosts maintain tables of IP addresses and link-level addresses. It may take a while for these tables to be updated.
- ❑ Make sure that the proper LAN cable is connected.
 - Use a Category 5 cable if your connection is running at 100 Mbps (100BASE-TX).
 - For a point-to-point connection, use a crossover cable.
 - For a LAN connection, use a regular LAN cable, not a crossover cable (the cable supplied with the emulation module, part number 5061-7342, is a crossover cable).

Problems with the LAN Interface

- ❑ Watch the LAN LEDs to see whether the emulation probe is seeing LAN activity. The LEDs are described on page 130. Refer to your LAN documentation for information on testing connectivity.
- ❑ It's also possible for there to be a problem with the emulation probe firmware while the LAN interface is still up and running. In this case, you must reboot the emulation probe by turning the emulation probe power switch off then on again.

If you have LAN connection problems

- ❑ Verify the IP address and gateway mask of the emulation probe. To do this, connect the emulation probe to a terminal or terminal emulator and enter the `lan` command. (See “To configure LAN parameters using a serial connection” on page 30.)

If it takes a long time to connect to the network

- ❑ Check the subnet masks on the other LAN devices connected to your network. All of the devices should be configured to use the same subnet mask.

Subnet mask error messages do not indicate a major problem. You can continue using the emulation probe.

If there are many subnet masks in use on the local subnet, the logic analysis system may take a very long time to connect to the network after it is turned on.

If you have problems setting the LAN parameters using a logic analysis system

- ❑ If the E5900B emulation probe is not connected to an E5901B emulation module, then make sure the emulation probe is on the same subnet as the logic analysis system during initial setup; otherwise, probe LAN address setup will fail. After initial setup, you can modify the emulation probe's LAN parameters using the Emulation Control Interface before moving the probe to a different subnet.
- ❑ Another thing that will cause emulation probe LAN address setup to fail is a BOOTP daemon, running elsewhere on your network, that is configured to respond to the link-level address of the emulation probe.

Problems with the Serial Interface

If you cannot verify RS-232 communication

If the emulation probe prompt does not appear in the terminal emulator window:

- Make sure that you have connected the emulation probe to the proper power source and that the power switch is on.
- Make sure that you have properly configured the data communications parameters on the host computer.
- Verify that you are using the correct cable. Use the cable and adapter which are supplied with the emulation probe.

If you have RS-232 connection problems with the MS Windows[®] Terminal program

- Use the "HyperTerminal" program (usually found in the Accessories windows program group) and set up the "Communications..." settings as follows:
 - Baud Rate: 9600
 - Data Bits: 8
 - Parity: None
 - Stop Bits: 1
 - Flow Control: None

When you are connected, hit the Enter key. You should get a prompt back.

- If you still don't get a prompt, make sure the serial cable is connected to the correct port on your PC.
- Make sure you are using the serial cable which was supplied with the emulation probe.

With certain RS-232 cards, connecting to an RS-232 port where the emulation

probe is turned off (or is not connected) will hang the PC. The only way to get control back is to reboot the PC. Therefore, we recommend that you always turn on the emulation probe before attempting to connect via RS-232.

Problems with the Emulation Module

Occasionally you may suspect a hardware problem with the emulation module. The procedure in this section describes how to test the emulation module hardware, and if a problem is found, how to repair or replace the broken component.

This procedure tests the hardware within the logic analysis system—the emulation module and its connection to the logic analysis system. To test the emulation probe, see page 151.

To test the emulation module

- 1** End any Emulation Control Interface or debugger sessions.
- 2** Disconnect the emulation probe from the target system.
- 3** In the system window, select the **System Admin** icon.
- 4** Select the **Admin** tab.
- 5** Select **Self-Test...**
- 6** Read the Question dialog and select **Yes** if you wish to run the self tests.
- 7** Select the **Master Frame** tab.
- 8** Select the **E5901B Emulation Module**.
- 9** Select **Test All**.
- 10** When you are finished running self tests, select **Quit**. Then restart your session from the Session Manager window.

Problems with the Emulation Probe

To run the emulation probe performance verification tests

In addition to the powerup tests, there are several additional performance verification (PV) tests available.

These tests can be performed through a 16700-series logic analysis system or via a serial or telnet connection.

Before running probe performance verification:

- Leave the emulation probe connected to the LAN and to the power supply or module/probe interconnect cable.
- Leave the target board adapter installed inside the emulation probe.
- End any Emulation Control Interface or debugger sessions.
- Disconnect the target cable from the target system. (Power off the emulation probe while you do this.)
- Connect an SMB cable from the "Break In" connector to the "Trigger Out" connector on the front panel of the emulation probe. (If you aren't concerned about these signals, you may omit this step and ignore any related test failures.)

To run the performance verification tests using the logic analysis system

- 1** End any Emulation Control Interface or debugger sessions.
- 2** Turn off the emulation probe and disconnect the emulation probe from your target system, then turn the emulation probe on again.

Troubleshooting the Emulation Probe

Problems with the Emulation Probe

CAUTION:

Disconnect the emulation probe from your target system before running the Performance Verification tests. Running the Target Board Adapter Feedback Test (which is part of the **pv** test) with the target system connected can damage components on the target system.

3 In the system window, select the emulation probe icon then select **Performance Verification**.

4 Select **Start PV**.

The results will appear on screen.

To run complete performance verification tests using a serial or telnet connection

1 Connect an SMB cable between BREAK IN and TRIGGER OUT on the front panel of the emulation probe.

2 Disconnect the probe/module interconnect cable.

3 Turn off the emulation probe and disconnect the emulation probe from your target system, then turn the emulation probe on again.

CAUTION:

Disconnect the emulation probe from your target system before running the Performance Verification tests. Running the Target Board Adapter Feedback Test (which is part of the **pv** test) with the target system connected can damage components on the target system.

4 Connect the emulation probe to your PC or workstation using a serial or LAN connection, as described in “Connecting the Emulation Probe to a Site LAN” on page 28.

5 Use a **telnet** or a terminal emulator to connect to the emulation probe.

6 Enter the **pv 1** command.

See Also

Options available for the **pv** command are explained in the help screen displayed by typing **help pv** or **? pv** at the prompt.

Examples

Here are some examples of ways to use the pv command. The product numbers and version information will be different for your emulation probe. The product numbers displayed are for the various pieces of firmware and will be different from the product number you used to order the product.

To execute all of the tests one time:

```
pv 1
```

The results on a good system, with the trigger out and break in SMBs connected, should similar to the following.

```
U>pv 1
```

```
Testing: HPE8130A Series Emulation System
Test 1: Powerup PV Results                Passed!
Test 2: Emulation Module Port Feedback Test Passed!
Test 3: Run Control FPGA Test             Passed!
Test 4: Run Control Clock Test            Passed!
Test 5: Break In and Trigger Out SMB Feedback Test Passed!
Test 6: Target Board Adapter Feedback Test (FACTORY ONLY) Not Executed
FAILED Number of tests: 1                 Number of failures: 0
```

```
Copyright (c) Agilent Technologies, Inc. 1999
All Rights Reserved.  Reproduction, adaptation, or translation without
prior
written permission is prohibited, except as allowed under copyright laws.
```

```
HPE8130A Series Emulation System
Version:  A.01.00 Dec 30 1999
Location:  Generics
```

```
HP E3454A PowerPC 700 JTAG Emulator
Version:  A.05.00 Oct 26 1999
```

```
R>
```

To execute test 2 with maximum debug output repeatedly until a Ctrl-c is entered:

```
pv -t2 -v9 0
```

If a performance verification test fails

There are some things you can do if a failure is found on one of the tests. Details of the failure can be obtained through using a -v value (“verbose level”) of 9.

If the particular failure you see is not listed below, contact Agilent Technologies for assistance.

Test 1: Powerup PV Results

Failure of this test indicates a hardware problem with the emulation probe. Contact Agilent Technologies for assistance.

Test 2: Emulation Module Port Feedback Test

Failure of this test indicates a hardware problem with the emulation probe. Contact Agilent Technologies for assistance.

This test exercises the hardware which drives the connection to the emulation module. It does not test the module/probe interconnect cable.

The test is not executed if the emulation probe is connected to an emulation module.

Test 3: Run Control FPGA Test

Test 4: Run Control Clock Test

Failure of these tests indicates a hardware problem with the emulation probe. Contact Agilent Technologies for assistance.

If the emulation probe fails one of these tests, it may have been damaged by electrostatic discharge through the target cable. To prevent such damage in the future, follow standard ESD preventive practices.

Test 5: Break In and Trigger Out SMB Feedback Test

Before returning to Agilent Technologies, check to ensure that you have connected a good cable between the two SMB connectors.

Test 6: Target Board Adapter Feedback Test

Failure of this test indicates a hardware problem with the emulation probe. Contact Agilent Technologies for assistance.

This test exercises the I/O circuitry. If the test passes, but the emulation probe seems to have trouble communicating with the target system, the problem is probably with the target system.

If this test was not executed, it means that the target board adapter you are using does not support the test.

Returning Parts for Service

The repair strategy for this emulation solution is board replacement.

Exchange assemblies are available when a repairable assembly is returned to Agilent Technologies. These assemblies have been set up on the “Exchange Assembly” program. This lets you exchange a faulty assembly with one that has been repaired, calibrated, and performance verified by the factory. The cost is significantly less than that of a new assembly.

To return a part to Agilent Technologies

- 1 Follow the procedures in this chapter to make sure that the problem is caused by a hardware failure, not by configuration or cabling problems.
- 2 In the U.S., call 1-800-403-0801. Outside the U.S., call your nearest Agilent sales office. Ask them for the address of the nearest service center.

To locate a sales or service office near you, go to <http://www.tm.agilent.com> and select Assistance.

- 3 Package the part and send it to the Agilent service center.

Keep any parts which you know are working. For example, if only a cable is broken, keep the emulation probe.

- 4 Agilent will repair or replace the part and send it back to you.

The unit returned to you will have the same serial number as the unit you sent to Agilent.

In some parts of the world, on-site repair service is available. Ask an Agilent sales or service representative for details.

To obtain replacement parts

The following table lists some parts that may be replaced if they are damaged or lost. Not all parts are shipped with every product. The part numbers are subject to change. Contact your nearest Agilent Technologies sales office for further information.

Exchange assemblies

Part number	Description
E3455-69501	Rebuilt PC board assembly (for M•CORE MMC2107)

Replacement assemblies

Part number	Description
0950-3043	Power supply for emulation probe (marked F1044B)
E3459-61602	14-pin JTAG cable (Connects the emulation probe to the target system.)
E8130-61601	14-pin module/probe interconnect cable (Connects the emulation module to the emulation probe.)
16700-61608	Expansion cable for emulation module (Connects the emulation module to the logic analysis system internally.)
E8130-68702	Serial cable and adapter (Connects the emulation probe to a PC for configuration.)
5061-7342	LAN cross-over cable (For point-to-point LAN connection from the emulation probe to the logic analysis system.)

To clean the instrument

If the instrument requires cleaning:

- 1** Remove power from the instrument.
- 2** Clean the instrument using a soft cloth that has been moistened in a mixture of mild detergent and water.
- 3** Make sure that the instrument is completely dry before reconnecting it to a power source.

Glossary

Analysis Probe A probing solution connected to the target microprocessor. It provides an interface between the signals of the target microprocessor and the inputs of the logic analyzer. Formerly called a “preprocessor.”

Background Debug Monitor Also called Debug Mode, In Background, and In Monitor. The normal processor execution is suspended and the processor waits for commands from the debug port. The debug port commands include the ability to read and write memory, read and write registers, set breakpoints and start the processor running (exit the Background Debug Monitor).

Debug Mode See *Background Debug Monitor*.

Debug Port A hardware interface designed into a microprocessor that allows developers to control microprocessor execution, set breakpoints, and access microprocessor registers or target system memory using a tool like the emulation probe.

Elastomeric Probe Adapter A connector that is fastened on top of a target microprocessor using a retainer and knurled nut. The conductive elastomer on the bottom

of the probe adapter makes contact with pins of the target microprocessor and delivers their signals to connection points on top of the probe adapter.

Emulation Migration The hardware and software required to use an emulation probe with a new processor family.

Emulation Module An emulation module is installed within the mainframe of a logic analysis system. An E5901A emulation module is used with a *target interface module* (TIM) or an analysis probe. An E5901B emulation module is used with an E5900B *emulation probe* and does not use a TIM.

Emulation Probe An emulation probe is a standalone instrument connected via LAN to the mainframe of a logic analyzer or to a host computer. It provides run control within an emulation and analysis test setup. Formerly called a "processor probe" or "software probe."

Emulator An emulation module or an emulation probe.

Extender A part whose only function is to provide connections from one location to another. One or more extenders might be stacked to

raise a probe above a target microprocessor to avoid mechanical contact with other components installed close to the target microprocessor. Sometimes called a "connector board."

Flexible Adapter Two connection devices coupled with a flexible cable. Used for connecting probing hardware on the target microprocessor to the analysis probe.

Gateway Address An IP address entered in integer dot notation. The default gateway address is 0.0.0.0, which allows all connections on the local network or subnet. If connections are to be made across networks or subnets, this address must be set to the address of the gateway machine.

General-Purpose Flexible Adapter A cable assembly that connects the signals from an elastomeric probe adapter to an analysis probe. Normally, a male-to-male header or transition board makes the connections from the general-purpose flexible adapter to the analysis probe.

High-Density Adapter Cable A cable assembly that delivers signals from an analysis probe hardware interface to the logic analyzer pod

cables. A high-density adapter cable has a single *MICTOR connector* that is installed into the analysis probe, and two cables that are connected to corresponding odd and even logic analyzer pod cables.

High-Density Termination Adapter Cable Same as a High-Density Adapter Cable, except it has a termination in the *MICTOR connector*.

In Background, In Monitor See *Background Debug Monitor*.

Inverse Assembler Software that displays captured bus activity as assembly language mnemonics. In addition, inverse assemblers may show execution history or decode control busses.

IP address Also called Internet Protocol address or Internet address. A 32-bit network address. It is usually represented as decimal numbers separated by periods; for example, 192.35.12.6.

Jumper Moveable direct electrical connection between two points.

JTAG (OnCE) port See *debug port*.

Label Labels are used to group and

identify logic analyzer channels. A label consists of a name and an associated bit or group of bits.

Link-Level Address The unique address of the LAN interface. This value is set at the factory and cannot be changed. The link-level address of a particular piece of equipment is often printed on a label above the LAN connector. An example of a link-level address in hexadecimal: 0800090012AB. Also known as an LLA, Ethernet address, hardware address, physical address, or MAC address.

Mainframe Logic Analyzer A logic analyzer that resides on one or more board assemblies installed in a 16500, 1660-series, or 16600/700-series mainframe.

Male-to-male Header A board assembly that makes point-to-point connections between the female pins of a flexible adapter or transition board and the female pins of an analysis probe.

MICTOR Connector A high-density matched impedance connector manufactured by AMP Corporation. *High-density adapter cables* can be used to connect the logic analyzer to MICTOR connectors on the target system.

Monitor, In See *Background Debug Monitor*.

Pod A collection of logic analyzer channels associated with a single cable and connector.

Preprocessor See *Analysis Probe*.

Preprocessor Interface See *Analysis Probe*.

Probe Adapter See *Elastomeric Probe Adapter*.

Processor Probe See *Emulation Probe*.

Run Control Probe See *Emulation Probe* and *Emulation Module*.

Setup Assistant Wizard software program which guides a user through the process of connecting and configuring a logic analyzer to make measurements on a specific microprocessor. The setup assistant icon is located in the main system window.

Shunt Connector. See *Jumper*.

Solution A set of tools for debugging your target system. A solution includes probing, inverse assembly, the B4620B Source Correlation Tool

Set, and an emulation module.

Stand-Alone Logic Analyzer A standalone logic analyzer has a predefined set of hardware components which provide a specific set of capabilities. A standalone logic analyzer differs from a mainframe logic analyzer in that it does not offer card slots for installation of additional capabilities, and its specifications are not modified based upon selection from a set of optional hardware boards that may be installed within its frame.

State Analysis A mode of logic analysis in which the logic analyzer is configured to capture data synchronously with a clock signal in the target system.

Subnet Mask A subnet mask blocks out part of an IP address so the networking software can determine whether the destination host is on a local or remote network. It is usually represented as decimal numbers separated by periods; for example, 255.255.255.0.

Symbol Symbols represent patterns and ranges of values found on labeled sets of bits. Two kinds of symbols are available:

1) Object file symbols — Symbols from your source code, and symbols

generated by your compiler. Object file symbols may represent global variables, functions, labels, and source line numbers.

2) User-defined symbols — Symbols you create.

Target Board Adapter A daughter board inside the E5900B emulation probe which customizes the emulation probe for a particular microprocessor family. The target board adapter provides an interface to the ribbon cable which connects to the debug port on the target system.

Target Control Port An 8-bit, TTL port on a logic analysis system that you can use to send signals to your target system. It does not function like a pattern generator or emulation module, but more like a remote control for the target's switches.

Target Interface Module A small circuit board which connects the 50-pin cable from an E5901A emulation module or E5900A emulation probe to signals from the debug port on a target system. Not used with the E5900B emulation probe.

TIM See *Target Interface Module*.

Timing Analysis A mode of logic analysis in which the logic analyzer is configured to capture data at a rate

determined by an internal sample rate clock, asynchronous to signals in the target system.

Transition Board A board assembly that obtains signals connected to one side and rearranges them in a different order for delivery at the other side of the board.

Trigger Specification A set of conditions that must be true before the instrument triggers. See the printed or online documentation of your logic analyzer for details.

1/4-Flexible Adapter An adapter that obtains one-quarter of the signals from an elastomeric probe adapter (one side of a target microprocessor) and makes them available for probing.

A

address pattern test, 94
address, IP, 29
altitude specifications, 119
analysis probe
 definition, 159
 processors supported, 4
 product numbers, 4
assistant
 See setup assistant
automatic allocation, 34

B

background debug monitor, 159
basic pattern test, 91
BDM port
 See debug port
BNC
 break in, 64
 trigger out, 65
BOOTP request, 33, 34
Break In SMB, 64
Break In SMB port, 116
built-in commands
 LAN configuration, 32
 list of commands, 133

C

cable
 emulator, 59
 module/probe interconnect, 45
 point-to-point LAN, 27
 power, 74
 serial, 30
cable board, 18, 22
CD-ROM, installing software from,
 50
cf rrt, 66
cfsave -r command, 63
cfsave -s command, 63
cleaning, 158

clocks
 specifications, 116
 TCK speed, 70
command line interface, 131
 logic analysis system, 131
commands, built-in, 134
configuration
 emulation module, 61
configuration commands, 138
configuration files
 installing, 47
connection
 emulation module, 57
 host workstation, 25
 power, 74
 problems, LAN, 145
 problems, RS-232, 148
 sequence, 75
connector
 10BASE-T, 25, 116
 JTAG, 54
 serial, 116
connector board, 159

D

data communications
 specifications, 116
DBG light, 129
DE signal, 54
debug mode, 159
debug port, 159
 connecting to, 59
 connector signals, 140
 definition, 159
debugger, 73
development port
 See debug port
DHCP, 33
dynamic allocation, 34

E

E8130A product number, 153
elastomeric probe adapter
 definition, 159
electrical characteristics, 118
emulation migration
 definition, 159
 See also migration
emulation module
 connecting, 57, 59
 connecting to probe, 45
 definition, 159
 description of, 3
 flash memory, 63
 installing, 41
 product numbers, 4
emulation probe
 definition, 159
emulation solution
 at a glance, 2
 definition, 161
 description of, 2
equipment required
 emulation module, 20
equipment supplied
 emulation migration, 22
 emulation module, 20
 ordering information, 4
 overview, 4
error messages, 144
ethernet address, 32
extender, 159

F

files
 loading vs. installing, 48
firmware
 updating, 103
 version, 105, 106
flash memory, 63

flexible adapter
 definition, 160
flowchart, setup, 17

G

gateway address, 32, 145
 definition, 160
general-purpose flexible adapter
 definition, 160

H

high-density adapter cable
 definition, 160
high-density termination adapter
 definition, 160
host computer
 connecting to, 25
HyperTerminal (MS Windows
 program), 148

I

IEEE 802.3, 25
information sources, 24
initial prompt, 141
installation category, 116, 117
installation, software, 47
interconnect cable
 See cable, module/probe
 interconnect
internet address, 29
inverse assembler
 definition, 160
IP address, 29, 32, 34, 145
 debugger connection, 80
 definition, 160

J

jumper, definition, 160

L

labels
 definition, 160
LAN
 connection problems, 145
 interface, 25
lan command, 32
LAN parameters, 34
 debugger, 80
 setting with DHCP, 33
 setting with emulation module,
 36
 setting with serial connection, 32
 verifying, 33
 ways to set, 26
LEDs, 129
lights, 129
link-level address, 34
 definition, 161
 displaying, 32
 location of, 33
loading configurations
 vs. installing, 47

M

mainframe logic analyzer
 definition, 161
male-to-male header
 definition, 161
manual allocation, 34
mask
 subnet, 146
memory
 target, testing, 85
memory test, 85
 address pattern, 94
 basic pattern, 91
 list of tests, 89
 oscilloscope read, 100

memory test, 85
 oscilloscope write, 101
 procedure, 90
 rotate pattern, 96
 walking ones, 98
 walking zeroes, 99
messages, error and status, 144
microprocessors supported, 4
MICTOR connector, definition, 161
migration
 installing, 109
minimum equipment, 18
module/probe interconnect cable,
 45
monitor, background debug, 159

O

oscilloscope read test, 100
oscilloscope write test, 101

P

PC
 connecting to, 25
 performance verification tests,
 151, 152
 performance, improving, 70
 ping command, 39, 145
 pods, logic analyzer, 161
 point-to-point LAN connection, 37
 pollution degree, 116, 117
 port number
 changing, 32
 debugger, 80
 default, 29
 power off procedure, 75
 power on procedure, 74
 POWER signal, 68
 power supply, 74
 preprocessor
 See analysis probe

preprocessor interface
 See *analysis probe*
problems
 emulation module, 150
 emulation probe, 151
 LAN interface, 145
 serial interface, 148
processor family
 changing, 110
processor support package, 50
processor type, 63
processors supported, 4
product numbers, 4, 153
prompt
 ->, 123
 ?, 123
 initial, 141
 list of prompts, 137
PV, 151

R

real-time runs, 66
references, 24
repair
 emulation module, 156
requirements, 18
restrict to real-time runs, 66
rotate pattern test, 96
RST light, 129
run control tool
 See emulation control interface
RUN light, 129

S

sequence, 75
serial connection
 cable, 30
 DCE or DTE selection, 148
 number of connections, 148
 problems, 148
 verifying, 31
service ports, 32

service, how to obtain, 156
setup
 See configuration
setup assistant, 108
 definition, 161
 networking disabled, 38
setup flowchart, 17
slow clock message
 troubleshooting, 123
SMB
 Break In configuration, 64
software
 installing, 47
 list of installed, 51
solution
 at a glance, 2
 definition, 161
 description of, 2
specifications
 altitude, 119
 characteristics, 115
 clock, 116
 data communications, 116
 temperature, 119
speed
 improving, 70
standalone configuration
 See point-to-point connection
stand-alone logic analyzer
 definition, 162
state analysis, 162
 definition, 162
static allocation, 33, 34
status lights, 129
subnet mask, 32, 145, 146
 definition, 162
switches
 LAN configuration, 32
symbols
 definition, 162

T

target board adapter, 18, 22
 definition, 162
target control port, 162
target interface module (TIM)
 definition, 162
target system
 connecting to, 57
 memory tests, 85
Target_Reset Signal, 54
TCK, 54
TCK signal, 70
TCP, 32
TDI, 54
TDO, 54
telnet, 39, 40, 145
 establish connection, 132
 temperature specifications, 119
terminal interface, 40
 LAN parameters, setting, 32
 See also built-in commands
test program, 143
testing
 emulation module, 150
 target memory, 85
 procedure for, 90
ThinLAN, 26
timing analysis, 162
 definition, 162
TMS, 54
transition board
 definition, 163
trigger
 definition of specification, 163
 limitations, 64
 trigger out configuration, 65
troubleshooting, 123
 emulation probe, 121
 general, 123
 LAN interface, 145
 target system, 139
TRST, 54

U

updating firmware, 104

V

versions, firmware

 emulation module, 106

 emulation probe, 105

voltage reference, configuring, 68

Vref signal, 68

W

walking ones test, 98

walking zeros test, 99

web interface, 81

web sites

 Agilent logic analyzers, 24

wizard

 See setup assistant

workstation

 connecting to, 25



Agilent Technologies

DECLARATION OF CONFORMITY

According to ISO/IEC Guide 22 and CEN/EN 45014

Manufacturer's Name: Agilent Technologies, Inc. / Digital Design PGU

Manufacturer's Address: 1900 Garden of the Gods Road
Colorado Springs, Colorado 80907 USA

Declares, that the product

Product Name: Emulation Probe

Model Number(s): Agilent Technologies E5900B, E5902B

Product Option(s): All options based on the above

is in conformity with:

EMC

IEC 61326-1:1997+A1:1998 / EN 61326-1:1997+A1:1998
CISPR 11:1990 / EN 55011:1991—Group 1 Class A^[1]
IEC 61000-4-2:1995+A1:1998 / EN 61000-4-2:1995 (ESD 4kV CD, 8kV AD)
IEC 61000-4-3:1995 / EN 61000-4-3:1995 (3 V/m 80% AM)
IEC 61000-4-4:1995 / EN 61000-4-4:1995 (0.5kV line-line, 1kV line-earth)
IEC 61000-4-6:1996 / EN 61000-4-6:1996 (3V 80% AM, power line)
Australia/New Zealand: AS/NZS 2064.1

Safety

IEC 1010-1: 1990+A1:1992+A2:1995 / EN 61010-1: 1994+A2:1995
Canada: CSA-C22.2 No. 1010.1:1992
USA: UL 3111-1:1994

Additional Information:

The product herewith complies with the requirements of the Low Voltage Directive 73/23/EEC and the EMC Directive 89/336/EEC (including 93/68/EEC) and carries the CE marking accordingly (European Union).

^[1]This product was tested in a typical configuration with Agilent Technologies test systems.

Date: 12/30/99

Ken Wyatt / Product Regulations Manager

For further information, please contact your local Agilent Technologies sales office, agent or distributor.

Product Regulations

EMC	IEC 61326-1:1997+A1:1998 / EN 61326-1:1997+A1:1998 CISPR 11:1990 / EN 55011:1991—Group 1 Class A ^[1] IEC 61000-4-2:1995+A1:1998 / EN 61000-4-2:1995 (ESD 4kV CD, 8kV AD) IEC 61000-4-3:1995 / EN 61000-4-3:1995 (3 V/m 80% AM) IEC 61000-4-4:1995 / EN 61000-4-4:1995 (EFT 0.5kV line-line, 1kV line-earth) IEC 61000-4-6:1996 / EN 61000-4-6:1996 (3V 80% AM, power line) Australia/New Zealand: AS/NZS 2064.1	Performance Criteria ^[2] D A A A
Safety	IEC 1010-1: 1990+A1:1992+A2:1995 / EN 61010-1: 1994+A2:1995 Canada: CSA-C22.2 No. 1010.1:1992 USA: UL 3111-1:1994 {optional}	

Additional Information:

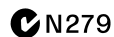
The product herewith complies with the requirements of the Low Voltage Directive 73/23/EEC and the EMC Directive 89/336/EEC (including 93/68/EEC) and carries the CE marking accordingly (European Union).

Performance Criteria:
A Pass - Normal operation, no effect.
B Pass - Temporary degradation, self recoverable.
C Pass - Temporary degradation, operator intervention required.
D Fail - Not recoverable, component damage.

Note:

Use standard ESD preventive practices while handling and connecting the E5900B to its target to avoid component damage.

Sound N/A
Pressure
Level





Agilent Technologies

DECLARATION OF CONFORMITY

According to ISO/IEC Guide 22 and CEN/EN 45014

Manufacturer's Name: Agilent Technologies, Inc. / Digital Design PGU

Manufacturer's Address: 1900 Garden of the Gods Road
Colorado Springs, Colorado 80907 USA

Declares, that the product

Product Name: Emulation Module

Model Number(s): Agilent Technologies E5901B

Product Option(s): All options based on the above

is in conformity with:

EMC IEC 61326-1:1997+A1:1998 / EN 61326-1:1997+A1:1998
CISPR 11:1990 / EN 55011:1991—Group 1 Class A^[1]
IEC 61000-4-2:1995+A1:1998 / EN 61000-4-2:1995 (ESD 4kV CD, 8kV AD)
IEC 61000-4-3:1995 / EN 61000-4-3:1995 (3 V/m 80% AM)
IEC 61000-4-4:1995 / EN 61000-4-4:1995 (0.5kV line-line, 1kV line-earth)
IEC 61000-4-6:1996 / EN 61000-4-6:1996 (3V 80% AM, power line)
Australia/New Zealand: AS/NZS 2064.1

Safety IEC 1010-1: 1990+A1:1992+A2:1995 / EN 61010-1: 1994+A2:1995
Canada: CSA-C22.2 No. 1010.1:1992
USA: UL 3111-1:1994

Additional Information:

The product herewith complies with the requirements of the Low Voltage Directive 73/23/EEC and the EMC Directive 89/336/EEC (including 93/68/EEC) and carries the CE marking accordingly (European Union).

^[1]This product was tested in a typical configuration with Agilent Technologies test systems.

Date: 12/30/99

Ken Wyatt / Product Regulations Manager

For further information, please contact your local Agilent Technologies sales office, agent or distributor.

Product Regulations

EMC	IEC 61326-1:1997+A1:1998 / EN 61326-1:1997+A1:1998 CISPR 11:1990 / EN 55011:1991—Group 1 Class A ^[1] IEC 61000-4-2:1995+A1:1998 / EN 61000-4-2:1995 (ESD 4kV CD, 8kV AD) IEC 61000-4-3:1995 / EN 61000-4-3:1995 (3 V/m 80% AM) IEC 61000-4-4:1995 / EN 61000-4-4:1995 (EFT 0.5kV line-line, 1kV line-earth) IEC 61000-4-6:1996 / EN 61000-4-6:1996 (3V 80% AM, power line) Australia/New Zealand: AS/NZS 2064.1	Performance Criteria ^[2] A A A A
Safety	IEC 1010-1: 1990+A1:1992+A2:1995 / EN 61010-1: 1994+A2:1995 Canada: CSA C22.2 No. 1010.1:1992 USA: UL 3111-1:1994 {optional}	

Additional Information:

The product herewith complies with the requirements of the Low Voltage Directive 73/23/EEC and the EMC Directive 89/336/EEC (including 93/68/EEC) and carries the CE marking accordingly (European Union).

Performance Criteria:

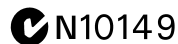
A Pass - Normal operation, no effect.

B Pass - Temporary degradation, self recoverable.

C Pass - Temporary degradation, operator intervention required.

D Fail - Not recoverable, component damage.

Sound Pressure Level N/A



© Copyright Agilent Technologies, Inc. 1994-2001 All Rights Reserved.

Reproduction, adaptation, or translation without prior written permission is prohibited, except as allowed under the copyright laws.

Restricted Rights Legend

Use, duplication, or disclosure by the U.S. Government is subject to restrictions set forth in subparagraph (C) (1) (ii) of the Rights in Technical Data and Computer Software Clause in DFARS 252.227-7013.

Agilent Technologies
395 Page Mill Road
Palo Alto, CA 94303-0870 U.S.A.
Rights for non-DOD U.S. Government Departments and Agencies are set forth in FAR 52.227-19 (c) (1,2).

Document Warranty

The information contained in this document is subject to change without notice.

Agilent Technologies makes no warranty of any kind with regard to this material, including, but not limited to, the implied warranties of merchantability or fitness for a particular purpose.

Agilent Technologies shall not be liable for errors contained herein or for damages in connection with the furnishing, performance, or use of this material.

Safety

This apparatus has been designed and tested in accordance with IEC Publication 1010, Safety Requirements for Measuring Apparatus, and has been supplied in a safe condition. This is a Safety Class I instrument (provided with terminal for protective earthing). Before applying power, verify that the correct safety precautions are taken (see the following warnings). In addition, note the external markings on the instrument that are described under "Safety Symbols."

Warning

- Before turning on the instrument, you must connect the protective earth terminal of the instrument to the protective conductor of the (mains) power cord. The mains plug shall only be inserted in a socket outlet provided with a protective earth contact. You must not negate the protective action by using an extension cord (power cable) without a protective conductor (grounding). Grounding one conductor of a two-conductor outlet is not sufficient protection.
- Only fuses with the required rated current, voltage, and specified type (normal blow, time delay, etc.) should be used. Do not use repaired fuses or short-circuited fuseholders. To do so could cause a shock or fire hazard.

- Service instructions are for trained service personnel. To avoid dangerous electric shock, do not perform any service unless qualified to do so. Do not attempt internal service or adjustment unless another person, capable of rendering first aid and resuscitation, is present.

- If you energize this instrument by an auto transformer (for voltage reduction), make sure the common terminal is connected to the earth terminal of the power source.

- Whenever it is likely that the ground protection is impaired, you must make the instrument inoperative and secure it against any unintended operation.

- Do not operate the instrument in the presence of flammable gasses or fumes. Operation of any electrical instrument in such an environment constitutes a definite safety hazard.

- Do not install substitute parts or perform any unauthorized modification to the instrument.

- Capacitors inside the instrument may retain a charge even if the instrument is disconnected from its source of supply.

Safety Symbols



Instruction manual symbol: the product is marked with this symbol when it is necessary for you to refer to the instruction manual in order to protect against damage to the product.



Hazardous voltage symbol.



Earth terminal symbol: Used to indicate a circuit common connected to grounded chassis.

WARNING

The Warning sign denotes a hazard. It calls attention to a procedure, practice, or the like, which, if not correctly performed or adhered to, could result in personal injury. Do not proceed beyond a Warning sign until the indicated conditions are fully understood and met.

CAUTION

The Caution sign denotes a hazard. It calls attention to an operating procedure, practice, or the like, which, if not correctly performed or adhered to, could result in damage to or destruction of part or all of the product. Do not proceed beyond a Caution symbol until the indicated conditions are fully understood or met.

Product Warranty

This Agilent Technologies product has a warranty against defects in material and workmanship for a period of one year from date of shipment. During the warranty period, Agilent Technologies will, at its option, either repair or replace products that prove to be defective.

For warranty service or repair, this product must be returned to a service facility designated by Agilent Technologies.

For products returned to Agilent Technologies for warranty service, the Buyer shall prepay shipping charges to Agilent Technologies and Agilent Technologies shall pay shipping charges to return the product to the Buyer. However, the Buyer shall pay all shipping charges, duties, and taxes for products returned to Agilent Technologies from another country.

Agilent Technologies warrants that its software and firmware designated by Agilent Technologies for use with an instrument will execute its programming instructions when properly installed on that instrument. Agilent Technologies does not warrant that the operation of the instrument software, or firmware will be uninterrupted or error free.

Limitation of Warranty

The foregoing warranty shall not apply to defects resulting from improper or inadequate maintenance by the Buyer, Buyer-supplied software or interfacing, unauthorized modification or misuse, operation outside of the environmental specifications for the product, or improper site preparation or maintenance.

No other warranty is expressed or implied. Agilent Technologies specifically disclaims the implied warranties of merchantability or fitness for a particular purpose.

Exclusive Remedies

The remedies provided herein are the buyer's sole and exclusive remedies. Agilent Technologies shall not be liable for any direct, indirect, special, incidental, or consequential damages, whether based on contract, tort, or any other legal theory.

Assistance

Product maintenance agreements and other customer assistance agreements are available for Agilent Technologies products. For any assistance, contact your nearest Agilent Technologies Sales Office.

Certification

Agilent Technologies Inc. certifies that this product met its published specifications at the time of shipment from the factory. Agilent Technologies further certifies that its calibration measurements are traceable to the United States National Institute of Standards and Technology, to the extent allowed by the Institute's calibration facility, and to the calibration facilities of other International Standards Organization members.

About this edition

This is the *Agilent Technologies E5900B Option 090 Emulation for the Motorola M•CORE User's Guide*.

Publication number
E3455-97001, May 2001
Printed in USA.

Many product updates do not require manual changes, and manual corrections may be done without accompanying product changes. Therefore, do not expect a one-to-one correspondence between product updates and manual updates.

UNIX is a registered trademark of The Open Group.

Windows, MS Windows, Windows NT, and MS-DOS are U.S. registered trademarks of Microsoft Corporation.